

REVISED

PARTS LIST

CAUTION

- The parts identified by the \triangle symbol are important for the safety. Whenever replacing these parts, be sure to use specified ones to secure the safety.
- The parts not indicated in this Parts List and those which are filled with lines — in the Parts No. columns will not be supplied.
- P. W. Board Ass'y will not be supplied, but those which are filled with the Parts No. in the Parts No. columns will be supplied.

ABBREVIATIONS OF RESISTORS, CAPACITORS AND TOLERANCES

RESISTORS		CAPACITORS	
C R	Carbon Resistor	C CAP.	Ceramic Capacitor
F R	Fusible Resistor	E CAP.	Electrolytic Capacitor
P R	Plate Resistor	M CAP.	Mylar Capacitor
V R	Variable Resistor	HV CAP.	High Voltage Capacitor
HV R	High Voltage Resistor	MF CAP.	Metalized Film Capacitor
MF R	Metal Film Resistor	MM CAP.	Metalized Mylar Capacitor
MG R	Metal Glazed Resistor	MP CAP.	Metalized Polystyrol Capacitor
MP R	Metal Plate Resistor	PP CAP.	Polypropylene Capacitor
OM R	Metal Oxide Film Resistor	PS CAP.	Polystyrol Capacitor
CMF R	Coating Metal Film Resistor	TF CAP.	Thin Film Capacitor
UNF R	Non-Flammable Resistor	MPP CAP.	Metalized Polypropylene Capacitor
CH V R	Chip Variable Resistor	TAN. CAP.	Tantalum Capacitor
CH MG R	Chip Metal Glazed Resistor	CH C CAP.	Chip Ceramic Capacitor
COMP. R	Composition Resistor	BP E CAP.	Bi-Polar Electrolytic Capacitor
LPTC R	Linear Positive Temperature Coefficient Resistor	CH AL E CAP.	Chip Aluminum Electrolytic Capacitor
		CH AL BP CAP.	Chip Aluminum Bi-Polar Capacitor
		CH TAN. E CAP.	Chip Tantalum Electrolytic Capacitor
		CH AL BP E CAP.	Chip Tantalum Bi-Polar Electrolytic Capacitor

TOLERANCES									
F	G	J	K	M	N	R	H	Z	P
±1%	±2%	±5%	±10%	±20%	±30%	+30% -10%	+50% -10%	+80% -20%	+100% -0%

CONTENTS

- M1 EXPLODED VIEW 3-3
- M1 EXPLODED VIEW PARTS LIST 3-5~3-6
- M2 EXPLODED VIEW 3-4
- M2 EXPLODED VIEW PARTS LIST 3-7~3-8

- PRINTED WIRING BOARD PARTS LIST
 - SIGNAL PW BOARD ASS'Y (SKB-1003A) 3-9
 - AV TERMINAL PW BOARD ASS'Y (SKB-1202A) 3-11
 - DEF. PW BOARD ASS'Y (SKB-2002A) 3-12
 - G CRT SOCKET PW BOARD ASS'Y (SKB-3001A) 3-14
 - B CRT SOCKET PW BOARD ASS'Y (SKB-3002A) 3-15
 - R CRT SOCKET PW BOARD ASS'Y (SKB-3003A) 3-15
 - AUDIO PW BOARD ASS'Y (SKB-6002A) 3-15
 - CONVERGENCE PW BOARD ASS'Y (SKB-8001A) 3-18
 - FRONT CONTROL PW BOARD ASS'Y (SKB-8101A) 3-21
 - REMO-CON PW BOARD ASS'Y (SKB-8102A) 3-21
 - POWER PW BOARD ASS'Y (SKB-9001A) 3-21
 - PIN JACK PW BOARD ASS'Y (SKB-06101A) 3-22
 - PIP/TEXT PW BOARD ASS'Y (SKB-0T003A) 3-23
 - 3D Y/C SEP. MODULE (SKB-0Y001A) 3-24

- REMOTE CONTROL UNIT PARTS LIST 3-25
- PACKING 3-25
- PACKING PARTS LIST 3-25

USING P.W. BOARD & REMOTE CONTROL UNIT

P.W.B ASS'Y	Model	AV-6100-EE
SIGNAL PW BOARD ASS'Y		SKB-1003A
AV TERMINAL PW BOARD ASS'Y		SKB-1202A
DEF. PW BOARD ASS'Y		SKB-2002A
G CRT SOCKET PW BOARD ASS'Y		SKB-3001A
B CRT SOCKET PW BOARD ASS'Y		SKB-3002A
R CRT SOCKET PW BOARD ASS'Y		SKB-3003A
AUDIO PW BOARD ASS'Y		SKB-6002A
CONVERGENCE PW BOARD ASS'Y		SKB-8001A
FRONT CONTROL PW BOARD ASS'Y		SKB-8101A
REMO-CON PW BOARD ASS'Y		SKB-8102A
POWER PW BOARD ASS'Y		SKB-9001A
PIN JACK PW BOARD ASS'Y		SKB-06101A
PIP/TEXT PW BOARD ASS'Y		SKB-0T003A
3D Y/C SEP. MODULE		SKB-0Y001A
REMOTE CONTROL UNIT		RM-C895-1C

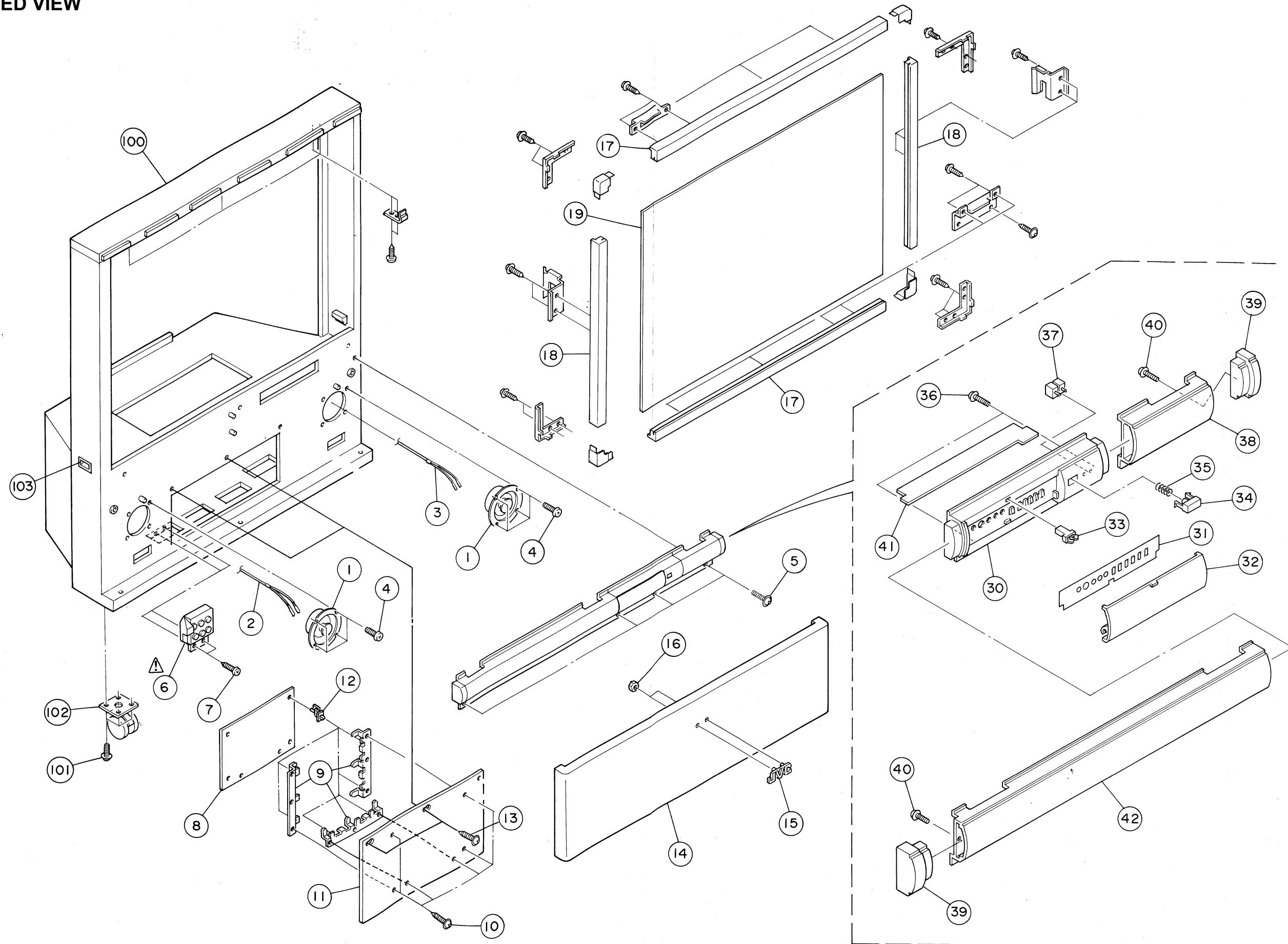
M1 EXPLODED VIEW PARTS LIST

△ Ref No.	Part No.	Part Name	Description
1	DX166-08T	SPEAKER	(×2)
2	CHGS0049-0A-G	SPK WIRE ASSY	
3	CHGS0048-0A-G	SPK WIRE ASSY	
4	SDSA4015Z	BIND HEAD SCREW	(×8)
5	QYSBSAG4018M	TAPPING SCREW	(×4)
△ 6	CE42584-001	FOCUS PACK	
7	SDSA4015Z	BIND HEAD SCREW	(×2)
8		CONVERGENCE PWB	SKB-8001A
9	CM35709-001-A	CONVER FRAME	(×3)
10	QYSBSB4012Z	TAPPING SCREW	(×6)
11	CN30308-001	FRONT BOARD	
12	CM49039-002	PB EDGE SPACER	(×6)
13	QYSBSAG4018M	TAPPING SCREW	(×2)
14	LC20699-001A	SPK GRILLE	
15	CM48228-001	BRAND MARK	
16	QYNS53000P	PUSH NUT	(×2)
17	CM36390-001	SCR. FRAME (T, B)	(×2)
18	CM36390-002	SCR. FRAME (L, R)	(×2)
19	61PRO-SC-SA	SCREEN ASSY	
30	CM12790-B01-VA	CONTROL BASE	
31	CM36405-001-H	CONTROL LABEL	
32	CM23008-001-A	DOOR	
33	CM48229-00A	DOOR LATCH	
34	CM36406-001-A	POWER KNOB	
35	CM30861-076	SPRING	
36	QYSBSBG4012Z	TAPPING SCREW	(×2)
37	CM47861-A01-H	L. E. D. LENS	
38	CM36407-004	PANEL	
39	CM36408-A01-A	SIDE CAP	(×2)
40	QYSBSBG4012Z	TAPPING SCREW	(×2)
41		FRONT CONTROL PWB	SKB-8101A
42	CM36407-003	PANEL	
100	CN10368-A0C	WOOD CABINET	Inc. No. 101~103
101	QYSBSAG4018M	TAPPING SCREW	(×16)
102	CM36396-00A	CASTER	(×4)
103	CM22150-002	HAND INSULATOR	(×2)

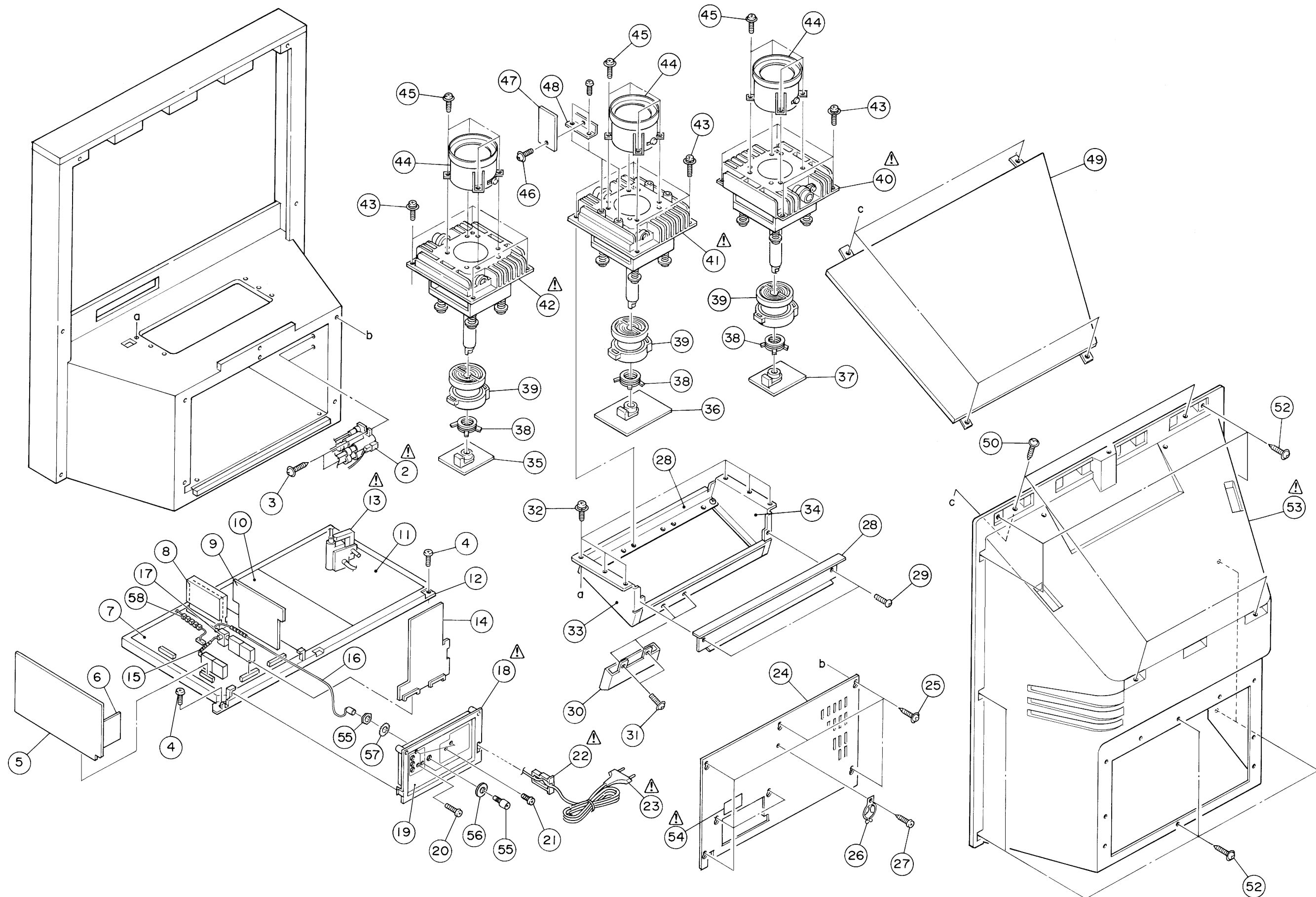
M2 EXPLODED VIEW PARTS LIST

△ Ref No.	Part No.	Part Name	Description
△ 2	QAE0004-001	HV DIVIDER	
3	SDSA4015Z	BIND HEAD SCREW	(×2)
4	QYSBSAG4018M	TAPPING SCREW	(×2)
5		AUDIO PWB	SKB-6002A
6	SKB-06101A	PIN JACK PW ASSY	
7		SIGNAL PWB	SKB-1003A
8		3D Y/C SEP. MODULE	SKB-0Y001A
9		PIP/TEXT PWB	SKB-0T003A
10		POWER PWB	SKB-9001A
11		DEF. PWB	SKB-2002A
12	CM12402-E01-V0	MAIN BASE	
△ 13	CJ283217-00B	FLYBACK TRANSF.	(T2603)
14		AV TERMINAL PWB	SKB-1202A
15	CHGY0017-0A-YS	ANTENNA CABLE	
16	WJX0006-003A	E-COAXIAL ASSY	
17	QAU0219-001	RF SPLITTER	Within SIGNAL PWB(UD1001)
△ 18	CM12648-B02-V0	A/V BOARD	
19	CM23009-001-H	TERMINAL SHEET	
20	QYSDSB3010M	TAPPING SCREW	(×3)
21	QYSDSF4010M	TAP SCREW	(×2)
△ 22	CM48140-A03-A	CORD CLAMP	
△ 23	QMPK030-200-K	POWER CORD	
24	CN20358-001	BACK BOARD	
25	QYSBSAG4018M	TAPPING SCREW	(×7)
26	CM30456-001	WIRE CLAMP	
27	QYSDSA3516M	TAP SCREW	
28	CM36399-001-A	UNIT BEAM	(×2)
29	QYSBSBG4012Z	TAPPING SCREW	
30	CM22765-001-A	COOLANT PAN	
31	QYSBSBG4012Z	TAPPING SCREW	(×2)
32	QYSBSAG4018M	TAPPING SCREW	(×6)
33	CM36400-001-A	UNIT HANGER(R)	
34	CM36400-002-A	UNIT HANGER(L)	
35		B CRT SOCKET PWB	SKB-3002A
36		G CRT SOCKET PWB	SKB-3001A
37		R CRT SOCKET PWB	SKB-3003A
38	A75034-B	P.C. MAGNET	(×3)
39	CE20251-00B	DEF YOKE	(×3)
△ 40	61 R CRT SA	R CRT ASSY	
△ 41	61 G CRT SA	G CRT ASSY	
△ 42	61 B CRT SA	B CRT ASSY	
43	QYSBSBG4012Z	TAPPING SCREW	(×12)
44	CM36412-00A-A	LENS	(×3)
45	QYSBSG4010Z	TAPPING SCREW	(×12)
46	QYSBSBG3008Z	TAPPING SCREW	
47		REMO-CON PWB	SKB-8102A
48	CM48179-001-A	RM HOLDER	
49	CM36402-001	MIRROR	
50	QYSBSB4012Z	TAPPING SCREW	(×4)
52	QYSBSAG4018M	TAPPING SCREW	(×10)
△ 53	CM12789-003	REAR COVER	
△ 54	LC20700-004A	RATING LABEL	
55	QNB0112-001	ANT. TERMINAL	
56	CM46744-003	WASHER	
57	QYWBSA5J009Z	WASHER	
58	QQR0778-001	CORE FILTER	(×5)

M1 EXPLODED VIEW



M2 EXPLODED VIEW



PRINTED WIRING BOARD ASS'Y

SIGNAL PW BOARD ASSY (SKB-1003A)

Symbol No.	Part No.	Part Name	Description
RESISTOR			
R1011	NRSA02J-103X	MG R	10kΩ 1/10W J
R1016-17	NRSA02J-102X	MG R	1kΩ 1/10W J
R1018	NRSA02J-104X	MG R	100kΩ 1/10W J
R1021	NRSA02J-0ROX	MG R	0.0Ω 1/10W J
R1023-24	NRSA02J-102X	MG R	1kΩ 1/10W J
R1025-26	NRSA02J-0ROX	MG R	0.0Ω 1/10W J
R1027	NRSA02J-102X	MG R	1kΩ 1/10W J
R1032	NRSA02J-102X	MG R	1kΩ 1/10W J
R1033	NRSA02J-0ROX	MG R	0.0Ω 1/10W J
R1034	NRSA02J-102X	MG R	1kΩ 1/10W J
R1036	NRSA02J-102X	MG R	1kΩ 1/10W J
R1037	NRSA02J-104X	MG R	100kΩ 1/10W J
R1039	NRSA02J-0ROX	MG R	0.0Ω 1/10W J
R1040-41	NRSA02J-102X	MG R	1kΩ 1/10W J
R1042-43	NRSA02J-0ROX	MG R	0.0Ω 1/10W J
R1201	NRSA02J-224X	MG R	220kΩ 1/10W J
R1202-03	NRSA02J-562X	MG R	5.6kΩ 1/10W J
R1204	NRSA02J-103X	MG R	10kΩ 1/10W J
R1205	NRSA02J-563X	MG R	56kΩ 1/10W J
R1206	NRSA02J-272X	MG R	2.7kΩ 1/10W J
R1207	NRSA02J-332X	MG R	3.3kΩ 1/10W J
R1208	NRSA02J-102X	MG R	1kΩ 1/10W J
R1209	NRSA02J-391X	MG R	390Ω 1/10W J
R1210	NRSA02J-105X	MG R	1MΩ 1/10W J
R1211	NRSA02J-564X	MG R	560kΩ 1/10W J
R1212	NRSA02J-474X	MG R	470kΩ 1/10W J
R1213-15	NRSA02J-332X	MG R	3.3kΩ 1/10W J
R1216-17	NRSA02J-102X	MG R	1kΩ 1/10W J
R1218	NRSA02J-821X	MG R	820Ω 1/10W J
R1219	NRSA02J-102X	MG R	1kΩ 1/10W J
R1223	NRSA02J-0ROX	MG R	0.0Ω 1/10W J
R1224	NRSA02J-102X	MG R	1kΩ 1/10W J
R1229	NRSA02J-0ROX	MG R	0.0Ω 1/10W J
R1230	NRSA02J-183X	MG R	18kΩ 1/10W J
R1231	NRSA02J-221X	MG R	220Ω 1/10W J
R1232-33	NRSA02J-102X	MG R	1kΩ 1/10W J
R1234	NRSA02J-391X	MG R	390Ω 1/10W J
R1235	NRSA02J-471X	MG R	470Ω 1/10W J
R1236	NRSA02J-272X	MG R	2.7kΩ 1/10W J
R1237	NRSA02J-224X	MG R	220kΩ 1/10W J
R1238	NRSA02J-474X	MG R	470kΩ 1/10W J
R1239	NRSA02J-333X	MG R	33kΩ 1/10W J
R1240	NRSA02J-391X	MG R	390Ω 1/10W J
R1241	NRSA02J-153X	MG R	15kΩ 1/10W J
R1242	NRSA02J-183X	MG R	18kΩ 1/10W J
R1243	NRSA02J-333X	MG R	33kΩ 1/10W J
R1244	NRSA02J-223X	MG R	22kΩ 1/10W J
R1245	NRSA02J-473X	MG R	47kΩ 1/10W J
R1246	NRSA02J-472X	MG R	4.7kΩ 1/10W J
R1247	NRSA02J-272X	MG R	2.7kΩ 1/10W J
R1248	NRSA02J-332X	MG R	3.3kΩ 1/10W J
R1249	NRSA02J-221X	MG R	220Ω 1/10W J
R1250	NRSA02J-272X	MG R	2.7kΩ 1/10W J
R1266	NRSA02J-332X	MG R	3.3kΩ 1/10W J
R1267	NRSA02J-392X	MG R	3.9kΩ 1/10W J
R1268	NRSA02J-682X	MG R	6.8kΩ 1/10W J
R1269	NRSA02J-272X	MG R	2.7kΩ 1/10W J
R1270	NRSA02J-102X	MG R	1kΩ 1/10W J
R1271-72	NRSA02J-101X	MG R	100Ω 1/10W J
R1275-77	NRSA02J-101X	MG R	100Ω 1/10W J
R1291	NRSA02J-103X	MG R	10kΩ 1/10W J
R1292	NRSA02J-472X	MG R	4.7kΩ 1/10W J
R1294	NRSA02J-272X	MG R	2.7kΩ 1/10W J
R1295	NRSA02J-223X	MG R	22kΩ 1/10W J
R1296	NRSA02J-153X	MG R	15kΩ 1/10W J
R1297-98	NRSA02J-103X	MG R	10kΩ 1/10W J
R1301-02	NRSA02J-103X	MG R	10kΩ 1/10W J
R1303	NRSA02J-152X	MG R	1.5kΩ 1/10W J
R1304-05	NRSA02J-102X	MG R	1kΩ 1/10W J
R1306	NRSA02J-152X	MG R	1.5kΩ 1/10W J
R1307-08	NRSA02J-102X	MG R	1kΩ 1/10W J
R1311	NRSA02J-0ROX	MG R	0.0Ω 1/10W J

Symbol No.	Part No.	Part Name	Description
RESISTOR			
R1312	NRSA02J-562X	MG R	5.6kΩ 1/10W J
R1314	NRSA02J-562X	MG R	5.6kΩ 1/10W J
R1315	NRSA02J-122X	MG R	1.2kΩ 1/10W J
R1316	NRSA02J-182X	MG R	1.8kΩ 1/10W J
R1317	NRSA02J-0ROX	MG R	0.0Ω 1/10W J
R1318-20	NRSA02J-102X	MG R	1kΩ 1/10W J
R1321	NRSA02J-154X	MG R	150kΩ 1/10W J
R1322-23	NRSA02J-103X	MG R	10kΩ 1/10W J
R1326-27	NRSA02J-681X	MG R	680Ω 1/10W J
R1328	NRSA02J-102X	MG R	1kΩ 1/10W J
R1329-30	NRSA02J-681X	MG R	680Ω 1/10W J
R1331	NRSA02J-102X	MG R	1kΩ 1/10W J
R1334	NRSA02J-102X	MG R	1kΩ 1/10W J
R1336	NRSA02J-102X	MG R	1kΩ 1/10W J
R1337	NRSA02J-332X	MG R	3.3kΩ 1/10W J
R1338	NRSA02J-122X	MG R	1.2kΩ 1/10W J
R1339-40	NRSA02J-103X	MG R	10kΩ 1/10W J
R1341-44	NRSA02J-101X	MG R	100Ω 1/10W J
R1345	NRSA02J-103X	MG R	10kΩ 1/10W J
R1346-47	NRSA02J-0ROX	MG R	0.0Ω 1/10W J
R1348	NRSA02J-104X	MG R	100kΩ 1/10W J
R1349	NRSA02J-222X	MG R	2.2kΩ 1/10W J
R1350	NRSA02J-182X	MG R	1.8kΩ 1/10W J
R1351	NRSA02J-0ROX	MG R	0.0Ω 1/10W J
R1352	NRSA02J-102X	MG R	1kΩ 1/10W J
R1353	NRSA02J-392X	MG R	3.9kΩ 1/10W J
R1355	NRSA02J-182X	MG R	1.8kΩ 1/10W J
R1356	NRSA02J-332X	MG R	3.3kΩ 1/10W J
R1357	NRSA02J-333X	MG R	33kΩ 1/10W J
R1401-02	NRSA02J-563X	MG R	56kΩ 1/10W J
R1403	NRSA02J-104X	MG R	100kΩ 1/10W J
R1404	NRSA02J-103X	MG R	10kΩ 1/10W J
R1405	NRSA02J-473X	MG R	47kΩ 1/10W J
R1406	NRSA02J-472X	MG R	4.7kΩ 1/10W J
R1407	NRSA02J-473X	MG R	47kΩ 1/10W J
R1411	NRSA02J-393X	MG R	39kΩ 1/10W J
R1412	NRSA02J-681X	MG R	680Ω 1/10W J
R1561-62	NRSA02J-103X	MG R	10kΩ 1/10W J
R1563	NRSA02J-562X	MG R	5.6kΩ 1/10W J
R1565	NRSA02J-122X	MG R	1.2kΩ 1/10W J
R1569	NRSA02J-151X	MG R	150Ω 1/10W J
R1571	NRSA02J-105X	MG R	1MΩ 1/10W J
R1572	NRSA02J-472X	MG R	4.7kΩ 1/10W J
R1573	NRSA02J-561X	MG R	560Ω 1/10W J
R1601-02	NRSA02J-123X	MG R	12kΩ 1/10W J
R1612	NRSA02J-102X	MG R	1kΩ 1/10W J
R1701-02	NRSA02J-682X	MG R	6.8kΩ 1/10W J
R1703-05	NRSA02J-103X	MG R	10kΩ 1/10W J
R1708-16	NRSA02J-103X	MG R	10kΩ 1/10W J
R1717	NRSA02J-102X	MG R	1kΩ 1/10W J
R1718-20	NRSA02J-103X	MG R	10kΩ 1/10W J
R1721-22	NRSA02J-102X	MG R	1kΩ 1/10W J
R1723-24	NRSA02J-103X	MG R	10kΩ 1/10W J
R1725	NRSA02J-561X	MG R	560Ω 1/10W J
R1726-31	NRSA02J-102X	MG R	1kΩ 1/10W J
R1733-34	NRSA02J-101X	MG R	100Ω 1/10W J
R1735	NRSA02J-103X	MG R	10kΩ 1/10W J
R1737	NRSA02J-101X	MG R	100Ω 1/10W J
R1738	NRSA02J-270X	MG R	27Ω 1/10W J
R1739	NRSA02J-102X	MG R	1kΩ 1/10W J
R1741-43	NRSA02J-101X	MG R	100Ω 1/10W J
R1744-47	NRSA02J-102X	MG R	1kΩ 1/10W J
R1748	NRSA02J-472X	MG R	4.7kΩ 1/10W J
R1749	NRSA02J-681X	MG R	680Ω 1/10W J
R1750	NRSA02J-472X	MG R	4.7kΩ 1/10W J
R1751	NRSA02J-681X	MG R	680Ω 1/10W J
R1752	NRSA02J-472X	MG R	4.7kΩ 1/10W J
R1753	NRSA02J-681X	MG R	680Ω 1/10W J
R1754-56	NRSA02J-102X	MG R	1kΩ 1/10W J
R1757	NRSA02J-0ROX	MG R	0.0Ω 1/10W J
R1758-59	NRSA02J-103X	MG R	10kΩ 1/10W J
R1760	NRSA02J-123X	MG R	12kΩ 1/10W J

△ Symbol No.	Part No.	Part Name	Description
RESISTOR			
R1761-76	NRSA02J-102X	MG R	1kΩ 1/10W J
R1779-80	NRSA02J-101X	MG R	100Ω 1/10W J
R1781-83	NRSA02J-102X	MG R	1kΩ 1/10W J
R1784	NRSA02J-101X	MG R	100Ω 1/10W J
R1785	NRSA02J-103X	MG R	10kΩ 1/10W J
R1786	NRSA02J-102X	MG R	1kΩ 1/10W J

CAPACITOR			
C1010	NCB21HK-222X	C CAP.	2200pF 50V K
C1011	QETN1HM-106Z	E CAP.	10μF 50V M
C1017	NCB21HK-104X	CHIP CAP.	0.1μF 50V K
C1021	NCB21HK-104X	CHIP CAP.	0.1μF 50V K
C1023	QETN1CM-107Z	E CAP.	100μF 16V M
C1024	QETN1CM-108Z	E CAP.	1000μF 16V M
C1025	NCB21HK-104X	CHIP CAP.	0.1μF 50V K
C1027	QETN1CM-107Z	E CAP.	100μF 16V M

C1029	QETN1CM-476Z	E CAP.	47μF 16V M
C1030	NCB21HK-103X	C CAP.	0.01μF 50V K
C1032	QETN1CM-107Z	E CAP.	100μF 16V M
C1033	NCB21HK-472X	C CAP.	4700pF 50V K
C1034	NCB21HK-104X	CHIP CAP.	0.1μF 50V K
C1035	NCB21HK-333X	C CAP.	0.033μF 50V K
C1037	NCB21HK-473X	C CAP.	0.047μF 50V K
C1038	QETN1EM-477Z	E CAP.	470μF 25V M

C1039	QETN1CM-477Z	E CAP.	470μF 16V M
C1040	NCB21HK-222X	C CAP.	2200pF 50V K
C1042	NCB21HK-104X	CHIP CAP.	0.1μF 50V K
C1043	QETN1CM-108Z	E CAP.	1000μF 16V M
C1044	NCB21HK-104X	CHIP CAP.	0.1μF 50V K
C1046	QETN1CM-107Z	E CAP.	100μF 16V M
C1048	NCB21HK-104X	CHIP CAP.	0.1μF 50V K
C1049	QETN1CM-107Z	E CAP.	100μF 16V M

C1050	QENC1HM-105Z	BP E CAP.	1μF 50V M
C1051	NCB21HK-103X	C CAP.	0.01μF 50V K
C1052	QETN1CM-107Z	E CAP.	100μF 16V M
C1053	NCB21HK-472X	C CAP.	4700pF 50V K
C1054	QETN1CM-477Z	E CAP.	470μF 16V M
C1055	QETN1EM-477Z	E CAP.	470μF 25V M
C1056	NCB21HK-473X	C CAP.	0.047μF 50V K
C1057-62	NCB21HK-104X	CHIP CAP.	0.1μF 50V K

C1063-64	NCB21HK-103X	C CAP.	0.01μF 50V K
C1112-13	NCB21HK-472X	C CAP.	4700pF 50V K
C1114	NCB21HK-103X	C CAP.	0.01μF 50V K
C1121	NCB21EK-104X	C CAP.	0.1μF 25V K
C1163	NCB21HK-103X	C CAP.	0.01μF 50V K
C1202	NRSA02J-684X	MG R	680kΩ 1/10W J
C1204	QEN61CM-106Z	BP E CAP.	10μF 16V M
C1206-07	QEN61CM-106Z	BP E CAP.	10μF 16V M

C1208	QETCOJM-107Z	E CAP.	100μF 6.3V M
C1210-11	QETCOJM-107Z	E CAP.	100μF 6.3V M
C1212	QEN61CM-226Z	BP E CAP.	22μF 16V M
C1214-15	NCB21HK-103X	C CAP.	0.01μF 50V K
C1216	NDC21HJ-271X	C CAP.	270pF 50V J
C1217	NCB21HK-103X	C CAP.	0.01μF 50V K
C1218	NDC21HJ-151X	C CAP.	150pF 50V J
C1219	QEN61CM-106Z	BP E CAP.	10μF 16V M
C1220	NDC21HJ-271X	C CAP.	270pF 50V J

C1221	NCB21HK-103X	C CAP.	0.01μF 50V K
C1224	NCB21HK-103X	C CAP.	0.01μF 50V K
C1225	QENC1HM-105Z	BP E CAP.	1μF 50V M
C1226	NCB21EK-104X	C CAP.	0.1μF 25V K
C1271	NCB21EK-104X	C CAP.	0.1μF 25V K
C1273-74	NCB21HK-103X	C CAP.	0.01μF 50V K
C1275	NCB21HK-473X	C CAP.	0.047μF 50V K
C1277	NCB21HK-103X	C CAP.	0.01μF 50V K

C1278	NCB21HK-473X	C CAP.	0.047μF 50V K
C1279-81	NCB21EK-104X	C CAP.	0.1μF 25V K
C1282	NDC21HJ-390X	C CAP.	39pF 50V J
C1283	NCB21EK-104X	C CAP.	0.1μF 25V K
C1302	NCF21HZ-104X	C CAP.	0.1μF 50V Z
C1303	NCB21HK-102X	C CAP.	1000pF 50V K
C1305	NCB21HK-102X	C CAP.	1000pF 50V K
C1308	NCB21EK-104X	C CAP.	0.1μF 25V K

△ Symbol No.	Part No.	Part Name	Description
CAPACITOR			
C1309	QFLC1HJ-224Z	M CAP.	0.22μF 50V J
C1310-13	NCB21EK-104X	C CAP.	0.1μF 25V K
C1318	NCB21EK-104X	C CAP.	0.1μF 25V K
C1342-46	NCB21EK-104X	C CAP.	0.1μF 25V K
C1347-48	NDC21HJ-150X	C CAP.	150pF 50V J
C1349	NCB21HK-392X	C CAP.	3900pF 50V K
C1350	NCB21EK-104X	C CAP.	0.1μF 25V K
C1351	NCB21HK-103X	C CAP.	0.01μF 50V K

C1405	NDC21HJ-181X	C CAP.	180pF 50V J
C1406	NDC21HJ-681X	C CAP.	680pF 50V J
C1411	QFV71HJ-104Z	MF CAP.	0.1μF 50V J
C1562	NCB21HK-472X	C CAP.	4700pF 50V K
C1563	NCB21HK-103X	C CAP.	0.01μF 50V K
C1564	NCB21HK-102X	C CAP.	1000pF 50V K
C1601-02	QENC1HM-105Z	BP E CAP.	1μF 50V M
C1603-04	NDC21HJ-151X	C CAP.	150pF 50V J

C1613	NCB21HK-104X	CHIP CAP.	0.1μF 50V K
C1614	NCB21HK-333X	C CAP.	0.033μF 50V K
C1701-02	NDC21HJ-680X	C CAP.	680pF 50V J
C1703	NCB21HK-102X	C CAP.	1000pF 50V K
C1704	NCB21EK-104X	C CAP.	0.1μF 25V K
C1706	NDC21HJ-101X	C CAP.	100pF 50V J
C1710	NCB21HK-103X	C CAP.	0.01μF 50V K
C1712	NCB21EK-104X	C CAP.	0.1μF 25V K

C1715	NCB21EK-104X	C CAP.	0.1μF 25V K
C1723-24	NCF21HZ-104X	C CAP.	0.1μF 50V Z
C1910	NCB21HK-473X	C CAP.	0.047μF 50V K
C1914	NCB21EK-104X	C CAP.	0.1μF 25V K
C1916	NCB21EK-104X	C CAP.	0.1μF 25V K

TRANSFORMER		
T1201	CE41360-001	DELAY LINE

COIL			
L1001-02	QQL244K-R47Z	PEAKING COIL	
L1003	QQL244K-8R2Z	PEAKING COIL	8.2μH
L1004	QQL244K-R47Z	PEAKING COIL	
L1005	QQL244K-270Z	PEAKING COIL	27μH
L1006	QQL244K-5R6Z	PEAKING COIL	5.6μH
L1007	QQL244K-R47Z	PEAKING COIL	
L1008	QQL244K-270Z	PEAKING COIL	27μH
L1009	QQL244K-5R6Z	PEAKING COIL	5.6μH
L1010	QQL244K-8R2Z	PEAKING COIL	8.2μH
L1021	QQL244K-8R2Z	PEAKING COIL	8.2μH
L1271	QQL01BK-330Z	PEAKING COIL	
L1301	QQL01BK-390Z	PEAKING COIL	
L1701	QQL01BJ-8R2Z	PEAKING COIL	
L1702	QQL01BK-8R2Z	PEAKING COIL	8.2μH
L1901	QQL01BK-100Z	PEAKING COIL	

DIODE			
D1001	MA3330/L/-X	ZENER DIODE	
D1021	MA3330/L/-X	ZENER DIODE	
D1203-04	MA3068/M/-X	ZENER DIODE	
D1205	MA3100/M/-X	ZENER DIODE	
D1291	M1MA151A-X	SI. DIODE	
D1292	MA3051/M/-X	ZENER DIODE	
D1293	M1MA151A-X	SI. DIODE	
D1302-06	M1MA151A-X	SI. DIODE	
D1307	MA3150/M/-X	ZENER DIODE	
D1341	M1MA151A-X	SI. DIODE	
D1401-04	M1MA151A-X	SI. DIODE	
D1406	M1MA151A-X	SI. DIODE	
D1561-63	M1MA151A-X	SI. DIODE	
D1564	MA3068/M/-X	ZENER DIODE	
D1565	1S5146-T2	SI. DIODE	
D1701-02	M1MA151A-X	SI. DIODE	
D1703	MA3150/M/-X	ZENER DIODE	
D1706-22	MA3068/M/-X	ZENER DIODE	
D1724	MA3100/M/-X	ZENER DIODE	
D1725	M1MA151A-X	SI. DIODE	
D1901	M1MA151A-X	SI. DIODE	

AV TERMINAL PW BOARD ASSY (SKB-1202A)

Symbol No.	Part No.	Part Name	Description
TRANSISTOR			
Q1001	DTC124EKA-X	DIGI. TRANSISTOR	
Q1201-02	25C2412K/QR/-X	SI. TRANSISTOR	
Q1203-05	25A1037K/QR/-X	SI. TRANSISTOR	
Q1207-08	25A1037K/QR/-X	SI. TRANSISTOR	
Q1209-12	25C2412K/QR/-X	SI. TRANSISTOR	
Q1271	DTC124EKA-X	DIGI. TRANSISTOR	
Q1291-93	25C2412K/QR/-X	SI. TRANSISTOR	
Q1301	25A1037K/QR/-X	SI. TRANSISTOR	
Q1302	25C2412K/QR/-X	SI. TRANSISTOR	
Q1303	25A1037K/QR/-X	SI. TRANSISTOR	
Q1304-08	25C2412K/QR/-X	SI. TRANSISTOR	
Q1309	25A1037K/QR/-X	SI. TRANSISTOR	
Q1310	25C2412K/QR/-X	SI. TRANSISTOR	
Q1311-12	25A1037K/QR/-X	SI. TRANSISTOR	
Q1313	DTC124EKA-X	DIGI. TRANSISTOR	
Q1314	25A1037K/QR/-X	SI. TRANSISTOR	
Q1321	25C2412K/QR/-X	SI. TRANSISTOR	
Q1322	25A1037K/QR/-X	SI. TRANSISTOR	
Q1323-24	25C2412K/QR/-X	SI. TRANSISTOR	
Q1401	25C2412K/QR/-X	SI. TRANSISTOR	
Q1402	25A1037K/QR/-X	SI. TRANSISTOR	
Q1404	25A1037K/QR/-X	SI. TRANSISTOR	
IC			
IC1201	TDA8366/N4	I. C. (MONO-ANA)	
IC1202	CX20125	I. C. (DIGI. OTHER)	
IC1203	JCC1005	I. C. (MONO-ANA)	
IC1204	M51494L	I. C. (MONO-ANA)	
IC1205	BA7612N	I. C. (MONO-ANA)	
IC1301	TDA4665	I. C. (MONO-ANA)	
IC1302	TDA8395	I. C. (MONO-ANA)	
IC1303	AN5860	I. C. (MONO-ANA)	
IC1701	M37207MC-3045P	I. C. (MICRO-COMP)	
IC1702	L78LR05E-MA	I. C. (MONO-ANA)	
IC1703	AT24C08-AV6100	I. C.	(SERVICE)
IC1903-04	AN7805F	I. C. (MONO-ANA)	
IC1905	AN7808F	I. C. (MONO-ANA)	
IC1906	AN7812F	I. C. (MONO-ANA)	
IC1907	AN7805F	I. C. (MONO-ANA)	
IC1908-09	AN7812F	I. C. (MONO-ANA)	
IC1910-11	AN7809F	I. C. (MONO-ANA)	
IC1921	AN78L09-T	I. C. (MONO-ANA)	
OTHERS			
CL1001	QZW0027-002	WIRE CLAMP	
CL1002	QZW0027-002	WIRE CLAMP	
CL1003	QZW0027-002	WIRE CLAMP	
CN1001	CHB301W-35R-M	RECEPTACLE	
CN1003	QGB2501J1-15	JL SOCKET	
CN1004	QGB2501J1-10	RECEPTACLE	
CN1007-08	QGB2503L1-10	FJ CONNECTOR	
CN1009	QGB2501J1-15	JL SOCKET	
CN1010	QGB2501J1-10	RECEPTACLE	
CN1011	QGB2503L1-10	FJ CONNECTOR	
DL1201	CE42099-003	DELAY LINE	
DL1301-02	CE42636-001	DELAY LINE	
EF1001	CE42482-103Y	EMI FILTER	
TU1001-02	QAU0218-001	TUNER	
K1001	CE41433-001Z	BEADS CORE	
K1003	CE42050-001Z	CORE	
K1004	CE41433-001Z	BEADS CORE	
K1006	CE41433-001Z	BEADS CORE	
K1007	CE41433-001Z	BEADS CORE	
K1008	CE41433-001Z	BEADS CORE	
K1012	CE41433-001Z	BEADS CORE	
K1013	CE41433-001Z	BEADS CORE	
K1015	CE41433-001Z	BEADS CORE	
UD1001	QAU0219-001	RF SPLITTER	
X1341	CE40749-001	CRYSTAL	
X1342	CE40668-001Z	CRYSTAL	
X1701	CST8.00MTHW	CER. RESONATOR	

Symbol No.	Part No.	Part Name	Description
RESISTOR			
R1101	NRSA02J-221X	MG R	220Ω 1/10W J
R1102	NRSA02J-102X	MG R	1kΩ 1/10W J
R1103	NRSA02J-221X	MG R	220Ω 1/10W J
R1104	NRSA02J-102X	MG R	1kΩ 1/10W J
R1105	NRSA02J-221X	MG R	220Ω 1/10W J
R1106	NRSA02J-153X	MG R	15kΩ 1/10W J
R1107	NRSA02J-221X	MG R	220Ω 1/10W J
R1108	NRSA02J-102X	MG R	1kΩ 1/10W J
R1109	NRSA02J-221X	MG R	220Ω 1/10W J
R1110	NRSA02J-102X	MG R	1kΩ 1/10W J
R1111	NRSA02J-221X	MG R	220Ω 1/10W J
R1112	NRSA02J-153X	MG R	15kΩ 1/10W J
R1113	NRSA02J-221X	MG R	220Ω 1/10W J
R1114	NRSA02J-102X	MG R	1kΩ 1/10W J
R1116	NRSA02J-102X	MG R	1kΩ 1/10W J
R1119-22	NRSA02J-562X	MG R	5.6kΩ 1/10W J
R1123-24	NRSA02J-102X	MG R	1kΩ 1/10W J
R1125	NRSA02J-221X	MG R	220Ω 1/10W J
R1126	NRSA02J-102X	MG R	1kΩ 1/10W J
R1127	NRSA02J-221X	MG R	220Ω 1/10W J
R1128	NRSA02J-102X	MG R	1kΩ 1/10W J
R1129	NRSA02J-221X	MG R	220Ω 1/10W J
R1130	NRSA02J-153X	MG R	15kΩ 1/10W J
R1131-33	NRSA02J-333X	MG R	33kΩ 1/10W J
R1134-35	NRSA02J-152X	MG R	1.5kΩ 1/10W J
R1136	NRSA02J-333X	MG R	33kΩ 1/10W J
R1137	QRE121J-1R0Y	C R	1.0Ω 1/2W J
R1139	NRSA02J-392X	MG R	3.9kΩ 1/10W J
R1140	NRSA02J-562X	MG R	5.6kΩ 1/10W J
R1141	NRSA02J-101X	MG R	100Ω 1/10W J
R1142	NRSA02J-182X	MG R	1.8kΩ 1/10W J
R1143	NRSA02J-0R0X	MG R	0.0Ω 1/10W J
R1145	NRSA02J-101X	MG R	100Ω 1/10W J
R1146	NRSA02J-102X	MG R	1kΩ 1/10W J
R1147-48	NRSA02J-0R0X	MG R	0.0Ω 1/10W J
R1149	NRSA02J-102X	MG R	1kΩ 1/10W J
R1151	NRSA02J-750X	MG R	75Ω 1/10W J
R1152	NRSA02J-224X	MG R	220kΩ 1/10W J
R1153	NRSA02J-750X	MG R	75Ω 1/10W J
R1154	NRSA02J-224X	MG R	220kΩ 1/10W J
R1155	NRSA02J-750X	MG R	75Ω 1/10W J
R1161-63	NRSA02J-750X	MG R	75Ω 1/10W J
R1164-65	NRSA02J-224X	MG R	220kΩ 1/10W J
R1166-68	NRSA02J-750X	MG R	75Ω 1/10W J
R1169-70	NRSA02J-224X	MG R	220kΩ 1/10W J
R1171	NRSA02J-750X	MG R	75Ω 1/10W J
R1172-73	NRSA02J-224X	MG R	220kΩ 1/10W J
R1175	NRSA02J-101X	MG R	100Ω 1/10W J
R1178	NRSA02J-272X	MG R	2.7kΩ 1/10W J
R1179	NRSA02J-102X	MG R	1kΩ 1/10W J
R1180	NRSA02J-272X	MG R	2.7kΩ 1/10W J
R1181	NRSA02J-101X	MG R	100Ω 1/10W J
R1182	NRSA02J-104X	MG R	100kΩ 1/10W J
R1183	QRE121J-151Y	C R	150Ω 1/2W J
R1184	NRSA02J-680X	MG R	68Ω 1/10W J
R1185	NRSA02J-222X	MG R	2.2kΩ 1/10W J
R1186	NRSA02J-101X	MG R	100Ω 1/10W J
R1187	NRSA02J-104X	MG R	100kΩ 1/10W J
R1188	NRSA02J-102X	MG R	1kΩ 1/10W J
R1189	NRSA02J-152X	MG R	1.5kΩ 1/10W J
R1191-92	NRSA02J-0R0X	MG R	0.0Ω 1/10W J
R1212-13	NRSA02J-471X	MG R	470Ω 1/10W J
R1214-15	NRSA02J-391X	MG R	390Ω 1/10W J
R1216-17	NRSA02J-223X	MG R	22kΩ 1/10W J
R1406	NRSA02J-0R0X	MG R	0.0Ω 1/10W J
R1407	NRSA02J-473X	MG R	47kΩ 1/10W J
R1411-12	NRSA02J-0R0X	MG R	0.0Ω 1/10W J
R1603	NRSA02J-0R0X	MG R	0.0Ω 1/10W J

△ Symbol No.	Part No.	Part Name	Description
CAPACITOR			
C1101-06	NCS21HJ-101X	C CAP.	100pF 50V J
C1107-10	NCS21HJ-271X	C CAP.	270pF 50V J
C1112	QEKC1CM-226Z	E CAP.	22μF 16V M
C1113-14	NCS21HJ-101X	C CAP.	100pF 50V J
C1115-16	QEKC1CM-107Z	E CAP.	100μF 16V M
C1118	NCB21HK-103X	C CAP.	0.01μF 50V K
C1121-22	QEKC1CM-106Z	E CAP.	10μF 16V M
C1123-24	QEKC1HM-105Z	E CAP.	1μF 50V M
C1125	NCB21HK-103X	C CAP.	0.01μF 50V K
C1126-27	QEKC1CM-106Z	E CAP.	10μF 16V M
C1128-29	QEKC1HM-105Z	E CAP.	1μF 50V M
C1130	NCB21HK-103X	C CAP.	0.01μF 50V K
C1131	QEKC1CM-106Z	E CAP.	10μF 16V M
C1132-33	QEKC1HM-105Z	E CAP.	1μF 50V M
C1135	NCB21HK-103X	C CAP.	0.01μF 50V K
C1136-37	QEKC1CM-106Z	E CAP.	10μF 16V M
C1138	QEP61CM-336Z	BP E CAP.	33μF 16V M
C1139	NCB21HK-103X	C CAP.	0.01μF 50V K
C1141	NDC21HJ-560X	C CAP.	56pF 50V J
C1142	NDC21HJ-6R0X	C CAP.	6.0pF 50V J
C1143-44	NCB21HK-103X	C CAP.	0.01μF 50V K
C1145	QEKC1CM-106Z	E CAP.	10μF 16V M
C1146	QEKC1HM-105Z	E CAP.	1μF 50V M
C1147	QEKC1CM-106Z	E CAP.	10μF 16V M
C1148	QEKC1HM-105Z	E CAP.	1μF 50V M
C1150-51	NCB21HK-103X	C CAP.	0.01μF 50V K
C1172	QEU61AM-108MZ	E CAP.	1000μF 10V M
C1207-08	QEKC1HM-105Z	E CAP.	1μF 50V M
COIL			
L1101	QQL01BK-560Z	PEAKING COIL	56μH
DIODE			
D1101-07	MTZJ10A-T2	ZENER DIODE	
D1110-12	MTZJ10A-T2	ZENER DIODE	
D1117	MTZJ10A-T2	ZENER DIODE	
D1121-26	MTZJ10A-T2	ZENER DIODE	
D1201-02	MTZJ10A-T2	ZENER DIODE	
TRANSISTOR			
Q1102-04	2SC2412K/QR/-X	SI. TRANSISTOR	
Q1105-06	2SA1037K/QR/-X	SI. TRANSISTOR	
Q1107	2SC2412K/QR/-X	SI. TRANSISTOR	
Q1108	2SA1037K/QR/-X	SI. TRANSISTOR	
Q1109-10	2SC2412K/QR/-X	SI. TRANSISTOR	
Q1403	2SA1037K/QR/-X	SI. TRANSISTOR	
Q1405-06	DTC363TK-X	DIGI. TRANSISTOR	
IC			
IC1101	CXA1845Q	I. C. (MONO-ANA)	
IC1102	AN7809F	I. C. (MONO-ANA)	
OTHERS			
J1001	CEMNO73-001	PIN JACK	
J1002	QMCC008-C01	DIN JACK	
J1003	CEMNO73-001	PIN JACK	
J1004	QMCC008-C01	DIN JACK	
J1005	CEMNO73-001	PIN JACK	
J1006	CEMNO45-001	PIN JACK	

DEF. PW BOARD ASSY (SKB-2002A)

△ Symbol No.	Part No.	Part Name	Description
RESISTOR			
R2101	QRE141J-102Y	C R	1kΩ 1/4W J
R2102	QRE141J-471Y	C R	470Ω 1/4W J
R2103	QRE141J-102Y	C R	1kΩ 1/4W J
R2104	QRE121J-154Y	C R	150kΩ 1/2W J
R2105	QRA14CF-5621Y	MF R	5.62kΩ 1/4W F
R2106-09	QRE141J-223Y	C R	22kΩ 1/4W J
R2110	QRK129J-1R0	C R	1.0Ω 1/2W J
R2111	QRK129J-1R0	C R	1.0Ω 1/2W J
R2112	QRE121J-272Y	C R	2.7kΩ 1/2W J
R2113	QRE141J-124Y	C R	120kΩ 1/4W J
R2114	QRE141J-103Y	C R	10kΩ 1/4W J
R2115	QRE141J-272Y	C R	2.7kΩ 1/4W J
R2116-17	QRG016J-273	OM R	27kΩ 1W J
R2118	QRG016J-153	OM R	15kΩ 1W J
R2119	QRE121J-101Y	C R	100Ω 1/2W J
R2120	QRE141J-102Y	C R	1kΩ 1/4W J
R2121	QRE141J-473Y	C R	47kΩ 1/4W J
R2457-59	QRE121J-122Y	C R	1.2kΩ 1/2W J
R2460	QRE141J-150Y	C R	15Ω 1/4W J
R2461	QRE121J-561Y	C R	560Ω 1/2W J
R2501	QRE141J-101Y	C R	100Ω 1/4W J
R2502-03	QRE141J-102Y	C R	1kΩ 1/4W J
R2504	QRE121J-562Y	C R	5.6kΩ 1/2W J
R2505-06	QRG039J-682	OM R	6.8kΩ 3W J
R2507	QRE121J-470Y	C R	47Ω 1/2W J
R2509	QRE121J-152Y	C R	1.5kΩ 1/2W J
R2510	QRE141J-182Y	C R	1.8kΩ 1/4W J
R2511	QRG016J-682	OM R	6.8kΩ 1W J
△ R2517	QRK129J-1R0	C R	1.0Ω 1/2W J
△ R2518	QRK129J-1R0	C R	1.0Ω 1/2W J
R2523	QRE141J-102Y	C R	1kΩ 1/4W J
R2551	QRE141J-183Y	C R	18kΩ 1/4W J
R2552	QRE141J-822Y	C R	8.2kΩ 1/4W J
R2553	QRE141J-123Y	C R	12kΩ 1/4W J
R2554	QRE141J-823Y	C R	82kΩ 1/4W J
R2555	QRE141J-333Y	C R	33kΩ 1/4W J
R2556	QRE141J-272Y	C R	2.7kΩ 1/4W J
R2558	QRE121J-472Y	C R	4.7kΩ 1/2W J
R2559	QRE141J-273Y	C R	27kΩ 1/4W J
R2560	QRE141J-122Y	C R	1.2kΩ 1/4W J
R2561	QRE141J-332Y	C R	3.3kΩ 1/4W J
R2562	QRE141J-821Y	C R	820Ω 1/4W J
R2563	QRE141J-562Y	C R	5.6kΩ 1/4W J
R2564	QRK129J-123	C R	12kΩ 1/2W J
R2565	QRG039J-100	OM R	10 Ω 3W J
R2568	QRE141J-681Y	C R	680Ω 1/4W J
R2570	QRE141J-223Y	C R	22kΩ 1/4W J
△ R2580	QRK129J-1R0	C R	1.0Ω 1/2W J
△ R2581	QRK129J-1R0	C R	1.0Ω 1/2W J
△ R2582	QRK129J-1R0	C R	1.0Ω 1/2W J
R2583	QRE121J-472Y	C R	4.7kΩ 1/2W J
R2586	QRK129J-561	C R	560Ω 1/2W J
R2601	QRE141J-562Y	C R	5.6kΩ 1/4W J
R2602	QRE141J-473Y	C R	47kΩ 1/4W J
R2603	QRE141J-103Y	C R	10kΩ 1/4W J
R2604	QRE141J-102Y	C R	1kΩ 1/4W J
R2605	QRE141J-272Y	C R	2.7kΩ 1/4W J
R2606	QRE141J-222Y	C R	2.2kΩ 1/4W J
R2607	QRE141J-101Y	C R	100Ω 1/4W J
R2608-10	QRE141J-102Y	C R	1kΩ 1/4W J
R2611	QRE121J-562Y	C R	5.6kΩ 1/2W J
R2612-13	QRG039J-472	OM R	4.7kΩ 3W J
R2614	QRE121J-470Y	C R	47Ω 1/2W J
R2615	QRE141J-332Y	C R	3.3kΩ 1/4W J
R2620	QRE141J-822Y	C R	8.2kΩ 1/4W J
R2621	QRE141J-101Y	C R	100Ω 1/4W J
R2622	QRA14CF-1401Y	MF R	1.4kΩ 1/4W F
R2623	QRE141J-474Y	C R	470kΩ 1/4W J
R2624	QRE141J-561Y	C R	560Ω 1/4W J
R2625	QRE141J-133Y	C R	13kΩ 1/4W J
R2626	QRE121J-333Y	C R	33kΩ 1/2W J
R2627	QRE121J-393Y	C R	39kΩ 1/2W J

△ Symbol No. Part No. Part Name Description

RESISTOR

R2629	QRZ0103-016	NETW.R	
R2632	QRE141J-101Y	C R	100Ω 1/4W J
R2633	QRE141J-472Y	C R	4.7kΩ 1/4W J
R2634	QRE141J-822Y	C R	8.2kΩ 1/4W J
R2635	QRA14CF-1401Y	MF R	1.4kΩ 1/4W F
R2636	QRE141J-561Y	C R	560Ω 1/4W J
R2637	QRZ0103-016	NETW.R	
R2638	QRK129J-1R0	C R	1.0Ω 1/2W J
R2639	QRE141J-225Y	C R	2.2MΩ 1/4W J
R2640	QRE141J-334Y	C R	330kΩ 1/4W J
R2641	QRE141J-274Y	C R	270kΩ 1/4W J
R2642	QRE141J-104Y	C R	100kΩ 1/4W J
R2643	QRE141J-242Y	C R	2.4kΩ 1/4W J
R2644	QRE141J-224Y	C R	220kΩ 1/4W J
R2911	QRF076J-100	UNF R	10 Ω 7W J
R2916	QRE121J-4R7Y	C R	4.7Ω 1/2W J
R2917	QRE141J-471Y	C R	470Ω 1/4W J
R2918	QRE121J-680Y	C R	68Ω 1/2W J
R2919	QRL039J-104	OM R	100kΩ 3W J
R2920	QRN141J-185Y	C R	1.8MΩ 1/4W J
△ R2921	QRJ149J-122	C R	1.2kΩ 1/4W J
△ R2922	QRJ149J-221	C R	220Ω 1/4W J
R2923	QRE141J-223Y	C R	22kΩ 1/4W J
R2924	QRE141J-101Y	C R	100Ω 1/4W J
R2925	QRM059K-R22	MP R	0.22Ω 5W K
R2940	QRE121J-184Y	C R	180kΩ 1/2W J
R2941	QRX01GJ-2R2	MF R	2.2Ω 1W J
R2942	QRE141J-103Y	C R	10kΩ 1/4W J
R2943	QRE141J-182Y	C R	1.8kΩ 1/4W J
R2944	QRE141J-103Y	C R	10kΩ 1/4W J
R2945	QRK129J-2R2	C R	2.2Ω 1/2W J
R2946	QRE121J-101Y	C R	100Ω 1/2W J
△ R2948	QRJ149J-102	C R	1kΩ 1/4W J
R2949	QRE141J-103Y	C R	10kΩ 1/4W J
R2950	QRN141J-105Y	C R	1MΩ 1/4W J
R2951	QRN141J-220Y	C R	22Ω 1/4W J
R2952	QRJ149J-101	C R	100Ω 1/4W J
R2953	QRG01GJ-223	OM R	22kΩ 1W J
R2955	QRE141J-682Y	C R	6.8kΩ 1/4W J
R2956	QRE141J-103Y	C R	10kΩ 1/4W J
R2957	QRE141J-104Y	C R	100kΩ 1/4W J
R2958	QRE141J-473Y	C R	47kΩ 1/4W J
R2959	QRE141J-472Y	C R	4.7kΩ 1/4W J
R2960	QRE141J-682Y	C R	6.8kΩ 1/4W J
R2961	QRE141J-562Y	C R	5.6kΩ 1/4W J
R2962	QRE141J-182Y	C R	1.8kΩ 1/4W J
R2963-64	QRE141J-222Y	C R	2.2kΩ 1/4W J
R2965	QRE141J-101Y	C R	100Ω 1/4W J
R2966	QRL039J-104	OM R	100kΩ 3W J

CAPACITOR

C2109	QETC0JM-107Z	E CAP.	100μF 6.3V M
C2111	QETB2CM-227	E CAP.	220μF 160V M
C2401	QFLC2AJ-104Z	M CAP.	0.1μF 100V J
C2502	QCB32HK-561Z	C CAP.	560pF 500V K
C2503	QETC2CM-105Z	E CAP.	1μF 160V M
△ C2504	QFZ0117-6001	MPP CAP.	6000pF1.4kVH±2.5%
△ C2505	QFZ0117-5501	MPP CAP.	5500pF1.4kVH±2.5%
C2507	QFP32GJ-223	PP CAP.	0.022μF 400V J
C2508	QEZ0195-475Z	E CAP.	4.7μF 50V K
C2509	QFZ0082-501S	MPP CAP.	500pF 1600V J
C2511	QFV71HJ-104Z	MF CAP.	0.1μF 50V J
C2512	QFZ0119-304	MPP CAP.	0.3μF 200V ±3%
C2513	QETB2CM-107	E CAP.	100μF 160V M
C2514	QFZ0119-204	MPP CAP.	0.2μF 200V ±3%
C2515	QETC2EM-225Z	E CAP.	2.2μF 250V M
C2517	QEZ0150-127R	E CAP.	127μF 250V M
C2518	QCB32HK-561Z	C CAP.	560pF 500V K
C2554	QETC1VM-476Z	E CAP.	47μF 35V M
C2581	QETB2EM-336	E CAP.	33μF 250V M
C2582	QETC1JM-107Z	E CAP.	100μF 63V M
C2583	QCB32HK-102Z	C CAP.	1000pF 500V K

△ Symbol No. Part No. Part Name Description

CAPACITOR

C2584	QETB1VM-228	E CAP.	2200μF 35V M
C2586	QFZ0081-1002S	MPP CAP.	10pF 1600V ±3%
C2589	QFLC1HJ-472Z	M CAP.	4700pF 50V J
C2601	QENC1HM-335Z	BP E CAP.	3.3μF 50V M
C2603	QCB32HK-181Z	C CAP.	180pF 500V K
C2604	QCB32HK-561Z	C CAP.	560pF 500V K
C2605	QETC2CM-105Z	E CAP.	1μF 160V M
△ C2606	QFZ0117-5501	MPP CAP.	5500pF1.4kVH±2.5%
△ C2607	QFZ0117-5501	MPP CAP.	5500pF1.4kVH±2.5%
△ C2608	QFZ0119-564	MPP CAP.	0.56μF 200V ±3%
C2609	QEZ0097-106R	E CAP.	10μF 160V M
C2620	QENC1HM-105Z	BP E CAP.	1μF 50V M
C2621	QENC1HM-476Z	BP E CAP.	47μF 50V M
C2624	QENC1HM-105Z	BP E CAP.	1μF 50V M
C2627	QFV71HJ-334Z	MF CAP.	0.33μF 50V J
C2632	QENC1HM-105Z	BP E CAP.	1μF 50V M
C2634	QFV71HJ-684Z	MF CAP.	0.68μF 50V J
△ C2913	QCZ9078-222	C CAP.	2200pFAC250V M
△ C2914	QCZ9078-222	C CAP.	2200pFAC250V M
△ C2915-16	QEZ0110-108R	E CAP.	1000μF
C2917	QEZ0199-127	E CAP.	120μF 400V M
C2918	QFH52GK-223	MM CAP.	0.022μF 400V K
C2919	QETN1HM-105Z	E CAP.	1μF 50V M
C2920	QETC2HM-225Z	E CAP.	2.2μF 450V M
C2921	QFLC2AJ-104Z	M CAP.	0.1μF 100V J
C2922	QFH62GK-473	MM CAP.	0.047μF 400V K
C2926	QCZ9085-103	C CAP.	0.01μFAC250V P
C2927	QCZ0122-471	C CAP.	470pF 2kV K
C2928	QCZ0131-102	C CAP.	1000pF 2kV K
C2929	QFLC1HJ-392Z	M CAP.	3900pF 50V J
C2931	QFLC1HJ-563Z	M CAP.	0.056μF 50V J
C2932	QCB31HK-681Z	C CAP.	680pF 50V K
C2940	QCZ9085-103	C CAP.	0.01μFAC250V P
C2942	QCB31HK-331Z	C CAP.	330pF 50V K
△ C2950	QCZ9079-222	C CAP.	2200pFAC250V M
C2951	QCB32HK-221Z	C CAP.	220pF 500V K
C2952	QETC1VM-477Z	E CAP.	470μF 35V M
C2953	QETB1VM-228	E CAP.	2200μF 35V M
C2954	QCB32HK-221Z	C CAP.	220pF 500V K
C2955	QETC1VM-477Z	E CAP.	470μF 35V M
C2956	QETB1VM-228	E CAP.	2200μF 35V M
C2958	QEHB1EM-478	E CAP.	4700μF 25V M
C2960	QCB32HK-221Z	C CAP.	220pF 500V K
C2961	QEHB1HM-477	E CAP.	470μF 50V M
C2963	QCB32HK-221Z	C CAP.	220pF 500V K
C2964	QEHB1HM-477	E CAP.	470μF 50V M
C2966	QCB32HK-221Z	C CAP.	220pF 500V K
C2967	QEH72CM-337M	E CAP.	330μF 160V M
C2968	QETB2CM-227	E CAP.	220μF 160V M
C2980	QETC1VM-227Z	E CAP.	220μF 35V M
C2990	QEN61VM-475Z	BP E CAP.	4.7μF 35V M

TRANSFORMER

T2501	CE42034-001	H.DRIVE TRANSF.	
△ T2502	CE42580-002	H.OUT TRANSF.	
T2601	CE42034-001	H.DRIVE TRANSF.	
T2602	CE42502-001J1	DUMMY YOKE	
△ T2603	CJ28317-00B	FLYBACK TRANSF.	
△ T2911	CETS054-001J2	SWITCH TRANSF.	
△ T2912	CE42590-001J1	STARTOR TRANSF.	

COIL

L2503	QQLZ016-821	CHOKE COIL	
L2581	QQLZ026-140	HEATER CHOKE	
L2582	CELL001-003	LINEARITY COIL	
L2951-57	QQLZ026-500	INDUCTOR	

DIODE

D2101	RD12ES/B3/-T2	ZENER DIODE	
D2102	EU2A-LFF4	SI.DIODE	
D2103	SLR-342VC3F	L.E.D.	
D2104	HZ18-2L-T2	ZENER DIODE	
D2105-06	1S5133-T2	SI.DIODE	

Symbol No.	Part No.	Part Name	Description
DIODE			
D2107	MA4180/M/-T2	ZENER DIODE	
D2108	1SS133-T2	SI. DIODE	
D2109	1SS82-T2	SI. DIODE	
D2110	EU2A-LFF4	SI. DIODE	
D2501	ERD08M-15	SI. DIODE	
D2502-03	RU4AM-F1	SI. DIODE	
D2504	1SS133-T2	SI. DIODE	
D2505	1SS82-T2	SI. DIODE	
D2506	EU2A-T3	SI. DIODE	
D2507	EU2A-LFF4	SI. DIODE	
D2509	V11CA-C1	SI. DIODE	
D2510	EU2A-LFG2	SI. DIODE	
D2511	1SS133-T2	SI. DIODE	
D2521	MA4330/M/-T2	ZENER DIODE	
D2531	RH15-LF1	SI. DIODE	
D2532-33	RU3AM-LFC4	SI. DIODE	
D2551	RD6.8ES/B3/-T2	ZENER DIODE	
D2552	1SS133-T2	SI. DIODE	
D2601	ERD07-15-L	SI. DIODE	
D2621	1SS133-T2	SI. DIODE	
D2622	HZ5C1(C1)-T2	ZENER DIODE	
D2623	HZ6A1L-T2	ZENER DIODE	
D2624	RD12ES/B/-T2	ZENER DIODE	
D2625	RD33E/B1/-T2	ZENER DIODE	
D2627	1SS133-T2	SI. DIODE	
D2628	HZ5C1(C1)-T2	ZENER DIODE	
D2629	1S2473H-T2	SI. DIODE	
Δ D2911	RBV-406M	BRIDGE DIODE	
D2912	SM8J47A	TRIAC	
D2913-14	RM1C-T3	SI. DIODE	
D2915-16	K1V26-F1P15	THYRISTOR	
D2917-18	EU2A-T3	SI. DIODE	
D2919	RU4C-F1	SI. DIODE	
D2940	EU2A-T3	SI. DIODE	
D2941	1SS133-T2	SI. DIODE	
D2942	MTZJ6.8A-T2	ZENER DIODE	
D2943	1SS119-T2	SI. DIODE	
D2951-52	RL2Z-LFC4	SI. DIODE	
D2953-55	D4L20U	SI. DIODE	
D2956	D5L60	SI. DIODE	
D2957	EU2A-T3	SI. DIODE	
D2959-64	1SS133-T2	SI. DIODE	
D2965-66	EU2A-T3	SI. DIODE	
D2967-69	1SS133-T2	SI. DIODE	
D2970	MTZJ9.1C-T2	ZENER DIODE	
D2971	1SS133-T2	SI. DIODE	
TRANSISTOR			
Q2101	2SD1090	SI. TRANSISTOR	
Q2102	2SC1573(PQR)	SI. TRANSISTOR	
Q2103	2SA949/Y/Z1-T	SI. TRANSISTOR	
Q2104	2SC1573(PQR)	SI. TRANSISTOR	
Q2105-06	2SC2229/Y/-T	SI. TRANSISTOR	
Q2107	SF0R1A42-T	THYRISTOR	
Q2502	2SA933S(QR)-T	SI. TRANSISTOR	
Q2503	2SC2653-RL	SI. TRANSISTOR	
Δ Q2504	2SD2348-LB	SI. TRANSISTOR	
Q2551	2SD1266A/QP/	SI. TRANSISTOR	
Q2601	2SC1740S/QR/-T	SI. TRANSISTOR	
Q2602-03	2SA933S(QR)-T	SI. TRANSISTOR	
Q2604	2SC2653-RL	SI. TRANSISTOR	
Δ Q2605	2SD2348-LB	SI. TRANSISTOR	
Q2606-07	DTC124ES-T	DIGI. TRANSISTOR	
Q2608	2SA933AS/QR/-T	SI. TRANSISTOR	
Q2911	2SC3751/KLM/	SI. TRANSISTOR	
Q2912	2SC1740S/QR/-T	SI. TRANSISTOR	
Q2913	2SA1309A/QR/-T	SI. TRANSISTOR	
Q2952	2SC2229/Y/-T	SI. TRANSISTOR	
Q2953	2SA1309A/QR/-T	SI. TRANSISTOR	
Q2954	2SC3311A/QR/-T	SI. TRANSISTOR	
Q2955-56	DTC114YS-T	DIGI. TRANSISTOR	
Q2957	DTC114ES-T	DIGI. TRANSISTOR	
Q2958	DTC143XS-T	DIGI. TRANSISTOR	
IC			
IC2102	TA7812S	I. C. (MONO-ANA)	
IC2503	UPC358C	I. C. (MONO-ANA)	

Symbol No.	Part No.	Part Name	Description
IC			
IC2551	UPC4558C	I. C. (MONO-ANA)	
IC2601-02	UPC358C	I. C. (MONO-ANA)	
IC2911	STK73909	I. C. (HYBRID)	
IC2912	STR83145	I. C. (HYBRID)	
Δ IC2913	TLP721F(GR)	I. C. (PH. COUPLER)	
Δ IC2914	TLP721F(GR)	I. C. (PH. COUPLER)	
IC2951	SE130N	I. C. (H)	
IC2952	TA7812S	I. C. (MONO-ANA)	
OTHERS			
CN2012-16	QGB2503L1-10	FJ CONNECTOR	
Δ FR2926	QRZ9017-2R2	F R	2.2 Ω 1/4W J
K2911-12	CE42050-001Z	CORE	
K2951	CE41433-001Z	BEADS CORE	
K2952	CE41433-001Z	BEADS CORE	
K2953	CE41724-00A	BEADS CORE	
K2954-56	CE42050-001Z	CORE	
K2959-61	CE42050-001Z	CORE	
W2502	QRE121J-102Y	C R	1kΩ 1/2W J
G CRT SOCKET PW BOARD ASSY (SKB-3001A)			
Symbol No.	Part No.	Part Name	Description
RESISTOR			
R3111	NRSA02J-103X	MG R	10kΩ 1/10W J
R3112	NRSA02J-392X	MG R	3.9kΩ 1/10W J
R3113	NRSA02J-0ROX	MG R	0.0Ω 1/10W J
R3114	NRSA02J-331X	MG R	330Ω 1/10W J
R3116	NRSA02J-101X	MG R	100Ω 1/10W J
R3124	NRSA02J-822X	MG R	8.2kΩ 1/10W J
R3126	NRSA02J-272X	MG R	2.7kΩ 1/10W J
R3127	NRSA02J-152X	MG R	1.5kΩ 1/10W J
R3129	NRSA02J-561X	MG R	560Ω 1/10W J
R3130	NRSA02J-821X	MG R	820Ω 1/10W J
R3131	NRSA02J-331X	MG R	330Ω 1/10W J
R3139	NRSA02J-151X	MG R	150Ω 1/10W J
R3141	QRE121J-102Y	C R	1kΩ 1/2W J
R3143	NRSA02J-151X	MG R	150Ω 1/10W J
R3145	QRE121J-102Y	C R	1kΩ 1/2W J
R3147	NRSA02J-151X	MG R	150Ω 1/10W J
R3149	QRE121J-102Y	C R	1kΩ 1/2W J
R3150	QRN141J-181Y	C R	180Ω 1/4W J
R3151	NRSA02J-OROX	MG R	0.0Ω 1/10W J
R3152	QRN141J-181Y	C R	180Ω 1/4W J
R3153	NRSA02J-OROX	MG R	0.0Ω 1/10W J
R3154	QRN141J-181Y	C R	180Ω 1/4W J
R3155	NRSA02J-OROX	MG R	0.0Ω 1/10W J
R3156	QRG029J-153	OM R	15kΩ 2W J
R3157	QRG029J-183	OM R	18kΩ 2W J
R3158	QRG029J-153	OM R	15kΩ 2W J
R3159	QRG029J-183	OM R	18kΩ 2W J
R3160	QRG029J-153	OM R	15kΩ 2W J
R3161	QRG029J-183	OM R	18kΩ 2W J
R3167-72	QRN141J-330Y	C R	33Ω 1/4W J
Δ R3173	QRJ146J-102X	C R	1kΩ 1/4W J
Δ R3174	QRJ146J-102X	C R	1kΩ 1/4W J
Δ R3175	QRJ146J-102X	C R	1kΩ 1/4W J
CAPACITOR			
C3113	QETC2EM-106Z	E CAP.	10μF 250V M
C3114	QFZ0097-103	MM CAP.	0.01μF 1250V K
C3115-16	QETC2EM-475Z	E CAP.	4.7μF 250V M
C3117	NDC21HJ-331X	C CAP.	330pF 50V J
COIL			
L3101-03	QQL01BK-470Z	PEAKING COIL	
L3104	QQL01BK-180Z	PEAKING COIL	18μH

AUDIO PW BOARD ASSY (SKB-6002A)

Symbol No.	Part No.	Part Name	Description
DIODE			
D3101-03	MA165-T2	SI. DIODE	
D3104-06	1S5244-T2	SI. DIODE	
D3107-09	1S5133-T2	SI. DIODE	
D3111	1S5133-T2	SI. DIODE	
D3113	TVR4J-T3	SI. DIODE	
D3114-19	1S5120-T2	SI. DIODE	

TRANSISTOR			
Q3104	2SA1321-T	SI. TRANSISTOR	
Q3105	2SC3334-T	SI. TRANSISTOR	
Q3106	2SA1321-T	SI. TRANSISTOR	
Q3107	2SC3334-T	SI. TRANSISTOR	
Q3108	2SA1321-T	SI. TRANSISTOR	
Q3109	2SC3334-T	SI. TRANSISTOR	
Q3110	2SC2412K/QR/-X	SI. TRANSISTOR	
Q3111	2SA1037K/QR/-X	SI. TRANSISTOR	
Q3114	2SC4544-LB	SI. TRANSISTOR	
Q3115	2SC4502-T	SI. TRANSISTOR	
Q3116	2SC4544-LB	SI. TRANSISTOR	
Q3117	2SC4502-T	SI. TRANSISTOR	
Q3118	2SC4544-LB	SI. TRANSISTOR	
Q3119	2SC4502-T	SI. TRANSISTOR	

OTHERS			
CL3001	CHJ1010-115-F	WIRE CLAMP	
CL3003	CHJ1010-115-F	WIRE CLAMP	
CL3004	CHJ1010-115-F	WIRE CLAMP	
CL3005	CHJ1010-115-F	WIRE CLAMP	
SG3101	CE42447-501	ARRESTOR	
VA3101	CE42535-001	C. R. T. SOCKET	
VA3101	ERZ-C05ZJ361	VARIATOR	360V

B CRT SOCKET PW BOARD ASSY (SKB-3002A)

Symbol No.	Part No.	Part Name	Description
CAPACITOR			
C3201	QFZ0097-103	MM CAP.	0.01μF 1250V K
COIL			
L3201	QQL01BK-180Z	PEAKING COIL	18μH

OTHERS			
CL3001	CHJ1010-115-F	WIRE CLAMP	
CL3003	CHJ1010-115-F	WIRE CLAMP	
CL3004	CHJ1010-115-F	WIRE CLAMP	
SG3201	CE42447-501	ARRESTOR	
VA3201	CE42535-001	C. R. T. SOCKET	
VA3201	ERZ-C05ZJ361	VARIATOR	360V

R CRT SOCKET PW BOARD ASSY (SKB-3003A)

Symbol No.	Part No.	Part Name	Description
CAPACITOR			
C3301	QFP32GK-563	PP CAP.	0.056μF 400V K
C3302	QFZ0097-103	MM CAP.	0.01μF 1250V K
COIL			
L3301	QQL01BK-180Z	PEAKING COIL	18μH

OTHERS			
CL3001	CHJ1010-115-F	WIRE CLAMP	
CL3002	CHJ1010-115-F	WIRE CLAMP	
CL3003	CHJ1010-115-F	WIRE CLAMP	
CL3004	CHJ1010-115-F	WIRE CLAMP	
CN30E3	CE41507-001P	LV CONNECTOR	
CN30S3	CE41507-001P	LV CONNECTOR	
SG3301	CE42447-501	ARRESTOR	
VA3301	CE42535-001	C. R. T. SOCKET	
VA3301	ERZ-C05ZJ361	VARIATOR	360V

Symbol No.	Part No.	Part Name	Description
RESISTOR			
R6124	NRSA02J-102X	MG R	1kΩ 1/10W J
R6125	NRSA02J-181X	MG R	180Ω 1/10W J
R6131	NRSA02J-123X	MG R	12kΩ 1/10W J
R6133	NRSA02J-123X	MG R	12kΩ 1/10W J
R6135	NRSA02J-561X	MG R	560Ω 1/10W J
R6151	NRSA02J-222X	MG R	2.2kΩ 1/10W J
R6159-60	NRSA02J-101X	MG R	100Ω 1/10W J
R6161-62	NRSA02J-183X	MG R	18kΩ 1/10W J
R6201-02	NRSA02J-473X	MG R	47kΩ 1/10W J
R6203-04	NRSA02J-223X	MG R	22kΩ 1/10W J
R6205	NRSA02J-104X	MG R	100kΩ 1/10W J
R6206	NRSA02J-103X	MG R	10kΩ 1/10W J
R6207	NRSA02J-123X	MG R	12kΩ 1/10W J
R6208	NRSA02J-223X	MG R	22kΩ 1/10W J
R6209	NRSA02J-103X	MG R	10kΩ 1/10W J
R6210	NRSA02J-104X	MG R	100kΩ 1/10W J
R6211	NRSA02J-122X	MG R	1.2kΩ 1/10W J
R6231-32	NRSA02J-223X	MG R	22kΩ 1/10W J
R6233	NRSA02J-104X	MG R	100kΩ 1/10W J
R6234	NRSA02J-103X	MG R	10kΩ 1/10W J
R6235	NRSA02J-123X	MG R	12kΩ 1/10W J
R6236	NRSA02J-223X	MG R	22kΩ 1/10W J
R6237	NRSA02J-103X	MG R	10kΩ 1/10W J
R6238	NRSA02J-104X	MG R	100kΩ 1/10W J
R6251-52	NRSA02J-223X	MG R	22kΩ 1/10W J
R6253	NRSA02J-123X	MG R	12kΩ 1/10W J
R6254	NRSA02J-103X	MG R	10kΩ 1/10W J
R6255-56	NRSA02J-104X	MG R	100kΩ 1/10W J
R6257	NRSA02J-103X	MG R	10kΩ 1/10W J
R6258	NRSA02J-123X	MG R	12kΩ 1/10W J
R6259	NRSA02J-122X	MG R	1.2kΩ 1/10W J
R6301	NRSA02J-103X	MG R	10kΩ 1/10W J
R6305	NRSA02J-0R0X	MG R	0.0Ω 1/10W J
R6307	NRSA02J-0R0X	MG R	0.0Ω 1/10W J
R6313	NRSA02J-103X	MG R	10kΩ 1/10W J
R6401	NRSA02J-102X	MG R	1kΩ 1/10W J
R6402-03	NRSA02J-562X	MG R	5.6kΩ 1/10W J
R6404	NRSA02J-102X	MG R	1kΩ 1/10W J
R6405	QRJ149J-1R0	C R	1.0Ω 1/4W J
R6406	NRSA02J-102X	MG R	1kΩ 1/10W J
R6408	NRSA02J-102X	MG R	1kΩ 1/10W J
R6431	NRSA02J-102X	MG R	1kΩ 1/10W J
R6432	NRSA02J-562X	MG R	5.6kΩ 1/10W J
R6451-52	NRSA02J-102X	MG R	1kΩ 1/10W J
R6501	NRSA02J-273X	MG R	27kΩ 1/10W J
R6502	NRSA02J-183X	MG R	18kΩ 1/10W J
R6503	NRSA02J-103X	MG R	10kΩ 1/10W J
R6504	NRSA02J-104X	MG R	100kΩ 1/10W J
R6505	NRSA02J-183X	MG R	18kΩ 1/10W J
R6506	NRSA02J-122X	MG R	1.2kΩ 1/10W J
R6507	NRSA02J-273X	MG R	27kΩ 1/10W J
R6508	NRSA02J-103X	MG R	10kΩ 1/10W J
R6509	NRSA02J-104X	MG R	100kΩ 1/10W J
R6510-11	NRSA02J-681X	MG R	680Ω 1/10W J
R6512-13	NRSA02J-102X	MG R	1kΩ 1/10W J
R6514	NRSA02J-473X	MG R	47kΩ 1/10W J
R6515	NRSA02J-102X	MG R	1kΩ 1/10W J
R6516	NRSA02J-103X	MG R	10kΩ 1/10W J
R6517	NRSA02J-0R0X	MG R	0.0Ω 1/10W J
R6518	NRSA02J-103X	MG R	10kΩ 1/10W J
R6519	NRSA02J-0R0X	MG R	0.0Ω 1/10W J
R6531	NRSA02J-273X	MG R	27kΩ 1/10W J
R6532	NRSA02J-183X	MG R	18kΩ 1/10W J
R6533	NRSA02J-103X	MG R	10kΩ 1/10W J
R6534-35	NRSA02J-104X	MG R	100kΩ 1/10W J
R6538	NRSA02J-122X	MG R	1.2kΩ 1/10W J
R6539	NRSA02J-681X	MG R	680Ω 1/10W J
R6540	NRSA02J-473X	MG R	47kΩ 1/10W J
R6541-42	NRSA02J-102X	MG R	1kΩ 1/10W J
R6543	NRSA02J-103X	MG R	10kΩ 1/10W J
R6544	NRSA02J-0R0X	MG R	0.0Ω 1/10W J
R6551	NRSA02J-273X	MG R	27kΩ 1/10W J

△ Symbol No.	Part No.	Part Name	Description
RESISTOR			
R6552	NRSA02J-183X	MG R	18kΩ 1/10W J
R6553	NRSA02J-103X	MG R	10kΩ 1/10W J
R6554	NRSA02J-104X	MG R	100kΩ 1/10W J
R6555	NRSA02J-183X	MG R	18kΩ 1/10W J
R6556	NRSA02J-104X	MG R	100kΩ 1/10W J
R6557	NRSA02J-103X	MG R	10kΩ 1/10W J
R6558	NRSA02J-273X	MG R	27kΩ 1/10W J
R6559	NRSA02J-122X	MG R	1.2kΩ 1/10W J
R6560-61	NRSA02J-681X	MG R	680Ω 1/10W J
R6562	NRSA02J-473X	MG R	47kΩ 1/10W J
R6563-65	NRSA02J-102X	MG R	1kΩ 1/10W J
R6566	NRSA02J-103X	MG R	10kΩ 1/10W J
R6567	NRSA02J-0R0X	MG R	0.0Ω 1/10W J
R6568	NRSA02J-103X	MG R	10kΩ 1/10W J
R6569	NRSA02J-0R0X	MG R	0.0Ω 1/10W J
R6601-02	NRSA02J-104X	MG R	100kΩ 1/10W J
R6603	NRSA02J-273X	MG R	27kΩ 1/10W J
R6604	NRSA02J-104X	MG R	100kΩ 1/10W J
R6605	NRSA02J-473X	MG R	47kΩ 1/10W J
R6606-07	NRSA02J-103X	MG R	10kΩ 1/10W J
R6608	NRSA02J-102X	MG R	1kΩ 1/10W J
R6609	NRSA02J-473X	MG R	47kΩ 1/10W J
R6610	QRN143J-103X	C R	10kΩ 1/4W J
R6611	NRSA02J-562X	MG R	5.6kΩ 1/10W J
R6612-13	NRSA02J-223X	MG R	22kΩ 1/10W J
R6614	NRSA02J-821X	MG R	820Ω 1/10W J
R6615	NRSA02J-223X	MG R	22kΩ 1/10W J
R6616	NRSA02J-102X	MG R	1kΩ 1/10W J
R6617	QRJ149J-2R2	C R	2.2Ω 1/4W J
R6618	NRSA02J-562X	MG R	5.6kΩ 1/10W J
R6619-20	NRSA02J-223X	MG R	22kΩ 1/10W J
R6621	NRSA02J-821X	MG R	820Ω 1/10W J
R6622	NRSA02J-223X	MG R	22kΩ 1/10W J
R6623	NRSA02J-102X	MG R	1kΩ 1/10W J
R6624	QRJ149J-2R2	C R	2.2Ω 1/4W J
R6632	NRSA02J-224X	MG R	220kΩ 1/10W J
R6633	NRSA02J-473X	MG R	47kΩ 1/10W J
R6634	NRSA02J-392X	MG R	3.9kΩ 1/10W J
R6637-38	QRG029J-471	OM R	470 Ω 2W J
R6651	NRSA02J-0R0X	MG R	0.0Ω 1/10W J
R6652-53	NRSA02J-103X	MG R	10kΩ 1/10W J
R6654	NRSA02J-222X	MG R	2.2kΩ 1/10W J
R6655	NRSA02J-103X	MG R	10kΩ 1/10W J
R6656	NRSA02J-222X	MG R	2.2kΩ 1/10W J
R6657	NRSA02J-0R0X	MG R	0.0Ω 1/10W J
R6658	NRSA02J-103X	MG R	10kΩ 1/10W J
R6659	NRSA02J-0R0X	MG R	0.0Ω 1/10W J
R6660	NRSA02J-103X	MG R	10kΩ 1/10W J
△ R6661	NRSA02J-122X	MG R	1.2kΩ 1/10W J
R6662-63	NRSA02J-472X	MG R	4.7kΩ 1/10W J
R6664	NRSA02J-0R0X	MG R	0.0Ω 1/10W J
R6665	NRSA02J-104X	MG R	100kΩ 1/10W J
R6666-67	NRSA02J-102X	MG R	1kΩ 1/10W J
R6668	NRSA02J-182X	MG R	1.8kΩ 1/10W J
R6669	NRSA02J-332X	MG R	3.3kΩ 1/10W J
R6670	NRSA02J-182X	MG R	1.8kΩ 1/10W J
R6671	NRSA02J-332X	MG R	3.3kΩ 1/10W J
R6672	NRSA02J-0R0X	MG R	0.0Ω 1/10W J
R6701	NRSA02J-183X	MG R	18kΩ 1/10W J
R6703	NRSA02J-334X	MG R	330kΩ 1/10W J
R6705	NRSA02J-334X	MG R	330kΩ 1/10W J
R6706	NRSA02J-271X	MG R	270Ω 1/10W J
R6707	NRSA02J-103X	MG R	10kΩ 1/10W J
R6708	NRSA02J-333X	MG R	33kΩ 1/10W J
R6709	QRJ149J-4R7	C R	4.7Ω 1/4W J
R6710	NRSA02J-271X	MG R	270Ω 1/10W J
R6711	NRSA02J-103X	MG R	10kΩ 1/10W J
R6712	NRSA02J-183X	MG R	18kΩ 1/10W J
R6713	NRSA02J-103X	MG R	10kΩ 1/10W J
R6714	NRSA02J-0R0X	MG R	0.0Ω 1/10W J
R6715-18	NRSA02J-103X	MG R	10kΩ 1/10W J
R6719	NRSA02J-681X	MG R	680Ω 1/10W J

△ Symbol No.	Part No.	Part Name	Description
RESISTOR			
△ R6720	QRJ149J-4R7	C R	4.7Ω 1/4W J
△ R6721	QRJ149J-4R7	C R	4.7Ω 1/4W J
R6727-28	NRSA02J-0R0X	MG R	0.0Ω 1/10W J
R6730	NRSA02J-122X	MG R	1.2kΩ 1/10W J
R6731	NRSA02J-102X	MG R	1kΩ 1/10W J
R6732	NRSA02J-333X	MG R	33kΩ 1/10W J
R6734	NRSA02J-122X	MG R	1.2kΩ 1/10W J
R6735	NRSA02J-102X	MG R	1kΩ 1/10W J
R6736	NRSA02J-333X	MG R	33kΩ 1/10W J
R6737	NRSA02J-104X	MG R	100kΩ 1/10W J
R6738	NRSA02J-563X	MG R	56kΩ 1/10W J
R6739-40	NRSA02J-102X	MG R	1kΩ 1/10W J
R6743	QRN142J-0R0	C R	0.0Ω 1/4W J
R6901	QRG01GJ-470	OM R	47Ω 1W J
R6904	QRJ149J-121	C R	120Ω 1/4W J
R6911	NRSA02J-0R0X	MG R	0.0Ω 1/10W J
R6912	QRJ149J-1R0	C R	1.0Ω 1/4W J
CAPACITOR			
C6117	NCB21HK-472X	C CAP.	4700pF 50V K
C6118	NDC21HJ-821X	C CAP.	820pF 50V J
C6119	NDC21HJ-470X	C CAP.	47pF 50V J
C6120	NDC21HJ-180X	C CAP.	18pF 50V J
C6126	NDC21HJ-470X	C CAP.	47pF 50V J
C6132	NCB21HK-103X	C CAP.	0.01μF 50V K
C6133-35	QFLC1HJ-103Z	M CAP.	0.01μF 50V J
C6136	NCB21HK-103X	C CAP.	0.01μF 50V K
C6151	NRSA02J-0R0X	MG R	0.0Ω 1/10W J
C6153-54	NDC21HJ-2R0X	C CAP.	2.0pF 50V J
C6155-56	NCB21HK-103X	C CAP.	0.01μF 50V K
C6157	QETN1AH-477Z	E CAP.	470μF 10V M
C6159-60	NCF21HZ-104X	C CAP.	0.1μF 50V Z
C6162	NCF21HZ-104X	C CAP.	0.1μF 50V Z
C6163-64	NCS21HJ-471X	C CAP.	470pF 50V J
C6165	NCF21HZ-104X	C CAP.	0.1μF 50V Z
C6168	NCF21HZ-104X	C CAP.	0.1μF 50V Z
C6171-72	NCS21HJ-221X	C CAP.	220pF 50V J
C6173	NCF21HZ-104X	C CAP.	0.1μF 50V Z
C6174-75	NCB21HK-103X	C CAP.	0.01μF 50V K
C6176-77	NCS21HJ-391X	C CAP.	390pF 50V J
C6178	NCB21HK-102X	C CAP.	1000pF 50V K
C6181	NCB21HK-103X	C CAP.	0.01μF 50V K
C6182-83	QEN61CH-106Z	BP E CAP.	10μF 16V M
C6184-99	NCB21HK-103X	C CAP.	0.01μF 50V K
C6203-04	NDC21HJ-470X	C CAP.	47pF 50V J
C6233-34	NDC21HJ-470X	C CAP.	47pF 50V J
C6253-54	NDC21HJ-470X	C CAP.	47pF 50V J
C6403-04	NCB21HK-272X	C CAP.	2700pF 50V K
C6407-10	NCF21EZ-104X	C CAP.	0.1μF 25V Z
C6413-14	QEN61CH-106Z	BP E CAP.	10μF 16V M
C6433	NCB21HK-272X	C CAP.	2700pF 50V K
C6436-37	NCF21EZ-104X	C CAP.	0.1μF 25V Z
C6503-04	NDC21HJ-100X	C CAP.	10pF 50V J
C6510-13	NDC21HJ-102X	C CAP.	1000pF 50V J
C6532	NDC21HJ-100X	C CAP.	10pF 50V J
C6553-54	NDC21HJ-100X	C CAP.	10pF 50V J
C6601-02	QETB1VM-228	E CAP.	2200μF 35V M
C6603-04	NCF21EZ-104X	C CAP.	0.1μF 25V Z
C6608-09	QFV71HJ-684Z	MF CAP.	0.68μF 50V J
C6610-11	NCF21EZ-104X	C CAP.	0.1μF 25V Z
C6615-16	QFV71HJ-684Z	MF CAP.	0.68μF 50V J
C6623	NCF21CZ-105X	C CAP.	1μF 16V Z
C6624-25	NCB21HK-103X	C CAP.	0.01μF 50V K
C6652-55	QENC1HM-105Z	BP E CAP.	1μF 50V M
C6664-65	NCB21HK-102X	C CAP.	1000pF 50V K
C6670-71	NCB21EK-104X	C CAP.	0.1μF 25V K
C6702	NDC21HJ-680X	C CAP.	68pF 50V J
C6704	NCB21HK-473X	C CAP.	0.047μF 50V K
C6705	NCB21HK-223X	C CAP.	0.022μF 50V K
C6706	NCB21HK-102X	C CAP.	1000pF 50V K
C6708	NCB21HK-473X	C CAP.	0.047μF 50V K
C6710	NDC21HJ-680X	C CAP.	68pF 50V J

△ Symbol No. Part No. Part Name Description

CAPACITOR

C6711	NCB21HK-473X	C CAP.	0.047μF	50V	K
C6715	NCB21HK-473X	C CAP.	0.047μF	50V	K
C6716	NCF21EZ-104X	C CAP.	0.1μF	25V	Z
C6717	NCB21HK-103X	C CAP.	0.01μF	50V	K
C6719	NCB21EK-563X	C CAP.	0.056μF	25V	K
C6722-23	NDC21HJ-100X	C CAP.	10pF	50V	J
C6724	NCB21HK-103X	C CAP.	0.01μF	50V	K
C6726	NCB21HK-103X	C CAP.	0.01μF	50V	K
C6730	NCF21CZ-105X	C CAP.	1μF	16V	Z
C6733-34	QFLC1HJ-102Z	M CAP.	1000pF	50V	J
C6736	NCF21CZ-105X	C CAP.	1μF	16V	Z
C6738-39	QFLC1HJ-102Z	M CAP.	1000pF	50V	J
C6755-59	NCB21HK-103X	C CAP.	0.01μF	50V	K
C6761-72	NCB21HK-103X	C CAP.	0.01μF	50V	K
C6773	NCB21HK-473X	C CAP.	0.047μF	50V	K
C6774-78	NCB21HK-103X	C CAP.	0.01μF	50V	K
C6780-86	NCB21HK-103X	C CAP.	0.01μF	50V	K
C6905-06	NCF21EZ-104X	C CAP.	0.1μF	25V	Z

COIL

L6105	QQL244K-220Z	PEAKING COIL		22μH	
L6106	QQL01BK-180Z	PEAKING COIL		18μH	
L6107	QQL01BK-100Z	PEAKING COIL			
L6152-54	QQL01BK-4R7Z	PEAKING COIL		4.7μH	
L6156	NQL02BJ-4R7X	COIL		4.7μH	
L6571-75	QQL01BK-4R7Z	PEAKING COIL		4.7μH	
L6576	CE4183Z-001	LEAD CORE			
L6703-06	NQL02BJ-4R7X	COIL		4.7μH	
L6911	QRN143J-OROX	C R	0.0Ω	1/4W	J
L6912	NQL02BJ-4R7X	COIL		4.7μH	

DIODE

D6201	MA3062-X	ZENER DIODE			
D6251	MA3062-X	ZENER DIODE			
D6501-02	MA3150/M/-X	ZENER DIODE			
D6503	MA3056-X	ZENER DIODE			
D6531	MA3056-X	ZENER DIODE			
D6532	MA3150/M/-X	ZENER DIODE			
D6551	MA3056-X	ZENER DIODE			
D6552-53	MA3150/M/-X	ZENER DIODE			
D6601-02	M1MA151K-X	SI. DIODE			
D6603	MTZJ5.1B-T2	ZENER DIODE			
D6604	M1MA151K-X	SI. DIODE			
D6605-08	MTZJ27B-T2	ZENER DIODE			
D6611-17	M1MA151K-X	SI. DIODE			
D6651	MA3039/H/-X	ZENER DIODE			
D6652-53	MA3062/M/-X	ZENER DIODE			
D6654	MA3030/H/-X	ZENER DIODE			
D6702-04	MA141WK-X	SI. DIODE			

TRANSISTOR

Q6107	2SC2412K/QR/-X	SI. TRANSISTOR			
Q6201	DTC144EK-X	DIGI. TRANSISTOR			
Q6301-02	DTC144EK-X	DIGI. TRANSISTOR			
Q6501	2SA1162/YG/-X	SI. TRANSISTOR			
Q6502-03	DTC323TK-X	DIGI. TRANSISTOR			
Q6531	2SA1162/YG/-X	SI. TRANSISTOR			
Q6532	DTC323TK-X	DIGI. TRANSISTOR			
Q6551	2SA1162/YG/-X	SI. TRANSISTOR			
Q6552-53	DTC323TK-X	DIGI. TRANSISTOR			
Q6601	DTC144EK-X	DIGI. TRANSISTOR			
Q6602	2SA1037K/QR/-X	SI. TRANSISTOR			
Q6603	DTC323TK-X	DIGI. TRANSISTOR			
Q6604	2SA1037K/QR/-X	SI. TRANSISTOR			
Q6605-06	DTC323TK-X	DIGI. TRANSISTOR			
Q6607	2SA1037K/QR/-X	SI. TRANSISTOR			
Q6608	2SC2412K/QR/-X	SI. TRANSISTOR			
Q6651	2SA1037K/QR/-X	SI. TRANSISTOR			
Q6652-54	DTC323TK-X	DIGI. TRANSISTOR			
Q6655	2SC2655/Y/-T	SI. TRANSISTOR			
Q6656	DTC323TK-X	DIGI. TRANSISTOR			
Q6701	2SA1037K/QR/-X	SI. TRANSISTOR			

△ Symbol No. Part No. Part Name Description

TRANSISTOR

Q6911	2SK105/E/-T	F. E. T.			
Q6912	2SC2655/Y/-T	SI. TRANSISTOR			

IC

IC6151	MSP3410D-PP-C5	I. C. (DIGI-OTHER)			
IC6201	M5201AFP-W	I. C. (MONO-ANA)			
IC6231	M5201AFP-W	I. C. (MONO-ANA)			
IC6251	BA4558F-X	I. C. (MONO-ANA)			
IC6301-02	TC4052BF/N/-XE	I. C. (DIGI-MOS)			
IC6401	TDA7315D	I. C. (DIGI-OTHER)			
IC6411	AN78L09-T	I. C. (MONO-ANA)			
IC6431	TDA7315D	I. C. (DIGI-OTHER)			
IC6451	TDA7315D	I. C. (DIGI-OTHER)			
IC6501	BA4558F-X	I. C. (MONO-ANA)			
IC6531	BA4558F-X	I. C. (MONO-ANA)			
IC6551	BA4558F-X	I. C. (MONO-ANA)			
IC6601-02	TDA2052V	I. C. (MONO-ANA)			
IC6651	TC4052BF/N/-XE	I. C. (DIGI-MOS)			
IC6652	TA8119P	I. C. (MONO-ANA)			
IC6701	SAAT366T-X	I. C. (MONO-ANA)			
IC6702	M37471M8-349SP	I. C. (MICRO-COMP)			
IC6703	MN1382/Q/-X	I. C. (MONO-ANA)			
IC6704	TC9332F-010	I. C. (DIGI-MOS)			
IC6705	TC7W74F-X	I. C. (ECL-LOGIC)			
IC6706	TMS57002DPHA	I. C. (MICRO-PROC)			
IC6708-09	TDA1386T-X	I. C. (MONO-ANA)			
IC6711	BA4558F-X	I. C. (MONO-ANA)			
IC6901-02	AN78L05-T	I. C. (MONO-ANA)			

OTHERS

CN6001	CM36336-001-H	SHIELD COVER			
CN6017	CHB301W-35P-M	PLUG			
EF6152	QGB2501J1-15	JL SOCKET			
EF6703-04	CE42482-103Y	EMI FILTER			
EF6707	CE42482-103Y	EMI FILTER			
K6152	CE41433-001Z	BEADS CORE			
K6701	CE41433-001Z	BEADS CORE			
K6702	CE41433-001Z	BEADS CORE			
K6703	CE41433-001Z	BEADS CORE			
X6151	CE42546-001	CRYSTAL			
X6701	C5T8.00MT	CER. RESONATOR			
X6702	CE42533-001	CRYSTAL			

CONVERGENCE PW BOARD ASSY (SKB-8001A)

△ Symbol No.	Part No.	Part Name	Description
VARIABLE RESISTOR			
R8427	QVP0053-502Z	TRIM R (GH KEY)	5kΩ B
R8430	QVP0053-502Z	TRIM R (GH L-KEYS)	5kΩ B
R8431	QVP0053-502Z	TRIM R (GH LIN)	5kΩ B
R8433	QVP0053-502Z	TRIM R (GH BOW)	5kΩ B
R8435	QVP0053-502Z	TRIM R (GH PIN BALANCE)	5kΩ B
R8445	QVP0053-502Z	TRIM R (GH PIN)	5kΩ B
R8476	QVP0053-502Z	TRIM R (GV KEY)	5kΩ B
R8478	QVP0053-502Z	TRIM R (GV KEYS)	5kΩ B
R8480	QVP0053-502Z	TRIM R (GV TB-PIN)	5kΩ B
R8483	QVP0053-502Z	TRIM R (GV LIN)	5kΩ B
R8484	QVP0053-502Z	TRIM R (GV BOW)	5kΩ B
R8485	QVP0053-502Z	TRIM R (GV TOP-KEYS)	5kΩ B
R8489	QVP0053-502Z	TRIM R (GV TOP-PIN)	5kΩ B
R8494	QVP0053-502Z	TRIM R (GV 60 KEYS)	5kΩ B
R8527	QVP0053-502Z	TRIM R (RH KYE)	5kΩ B
R8528	QVP0053-502Z	TRIM R (RH KYES)	5kΩ B
R8530	QVP0053-502Z	TRIM R (RH L-KEYS)	5kΩ B
R8531	QVP0053-502Z	TRIM R (RH LIN)	5kΩ B
R8532	QVP0053-502Z	TRIM R (RH SIZE)	5kΩ B
R8533	QVP0053-502Z	TRIM R (RH BOW)	5kΩ B
R8535	QVP0053-502Z	TRIM R (RH PIN BALANCE)	5kΩ B
R8539	QVP0053-502Z	TRIM R (RH R-LIN)	5kΩ B
R8540	QVP0053-502Z	TRIM R (RH L-LIN)	5kΩ B
R8541	QVP0053-502Z	TRIM R (60R H-SIZE)	5kΩ B
R8542	QVP0053-502Z	TRIM R (60R H.LIN)	5kΩ B
R8543	QVP0053-502Z	TRIM R (60R H.STATIC)	5kΩ B
R8545	QVP0053-502Z	TRIM R (RH PIN)	5kΩ B
R8547	QVP0053-502Z	TRIM R (RV L-BOW)	5kΩ B
R8576	QVP0053-502Z	TRIM R (RV KEY)	5kΩ B
R8578	QVP0053-502Z	TRIM R (RV KEYS)	5kΩ B
R8580	QVP0053-502Z	TRIM R (RV TB-PIN)	5kΩ B
R8581	QVP0053-502Z	TRIM R (RV TOP-SIZE)	5kΩ B
R8582	QVP0053-502Z	TRIM R (RV BOTTOM-SIZE)	5kΩ B
R8583	QVP0053-502Z	TRIM R (RV LIN)	5kΩ B
R8584	QVP0053-502Z	TRIM R (RV BOW)	5kΩ B
R8585	QVP0053-502Z	TRIM R (RV TOP-KEYS)	5kΩ B
R8589	QVP0053-502Z	TRIM R (RV TOP-PIN)	5kΩ B
R8594	QVP0053-502Z	TRIM R (60R V.KEY)	5kΩ B
R8627	QVP0053-502Z	TRIM R (BH KEY)	5kΩ B
R8628	QVP0053-502Z	TRIM R (BH KEYS)	5kΩ B
R8630	QVP0053-502Z	TRIM R (BH L-KEYS)	5kΩ B
R8631	QVP0053-502Z	TRIM R (BH LIN)	5kΩ B
R8632	QVP0053-502Z	TRIM R (BH SIZE)	5kΩ B
R8633	QVP0053-502Z	TRIM R (BH BOW)	5kΩ B
R8635	QVP0053-502Z	TRIM R (BH PIN BALANCE)	5kΩ B
R8639	QVP0053-502Z	TRIM R (BH R-LIN)	5kΩ B
R8640	QVP0053-502Z	TRIM R (BH L-LIN)	5kΩ B
R8641	QVP0053-502Z	TRIM R (60B H-SIZE)	5kΩ B
R8642	QVP0053-502Z	TRIM R (60B H.LIN)	5kΩ B
R8643	QVP0053-502Z	TRIM R (60B H.STATIC)	5kΩ B
R8645	QVP0053-502Z	TRIM R (60B PIN)	5kΩ B
R8647	QVP0053-502Z	TRIM R (BV L-BOW)	5kΩ B
R8676	QVP0053-502Z	TRIM R (BV KEY)	5kΩ B
R8678	QVP0053-502Z	TRIM R (BV KEYS)	5kΩ B
R8680	QVP0053-502Z	TRIM R (BV TB-PIN)	5kΩ B
R8681	QVP0053-502Z	TRIM R (BV TOP-SIZE)	5kΩ B
R8682	QVP0053-502Z	TRIM R (BV BOTTOM-SIZE)	5kΩ B
R8683	QVP0053-502Z	TRIM R (BV LIN)	5kΩ B
R8684	QVP0053-502Z	TRIM R (BV BOW)	5kΩ B
R8685	QVP0053-502Z	TRIM R (BV TOP-KEYS)	5kΩ B
R8689	QVP0053-502Z	TRIM R (BV TOP-PIN)	5kΩ B
R8694	QVP0053-502Z	TRIM R (60B V.KEY)	5kΩ B
R8771	QVP0053-203Z	TRIM R (RH STATIC)	20kΩ B
R8776	QVP0053-203Z	TRIM R (RH STATIC)	20kΩ B
R8781	QVP0053-203Z	TRIM R (BH STATIC)	20kΩ B
R8786	QVP0053-203Z	TRIM R (BV STATIC)	20kΩ B
RESISTOR			
R8101	NRSA02J-821X	MG R	820Ω 1/10W J
R8102	NRSA02J-562X	MG R	5.6kΩ 1/10W J
R8103	NRSA02J-103X	MG R	10kΩ 1/10W J
R8104	NRSA02J-152X	MG R	1.5kΩ 1/10W J

△ Symbol No.	Part No.	Part Name	Description
RESISTOR			
R8105	NRSA02J-823X	MG R	82kΩ 1/10W J
R8106	NRSA02J-102X	MG R	1kΩ 1/10W J
R8107	NRSA02J-562X	MG R	5.6kΩ 1/10W J
R8108	NRSA02J-512X	MG R	5.1kΩ 1/10W J
R8109	NRSA02J-222X	MG R	2.2kΩ 1/10W J
R8110	NRSA02J-153X	MG R	15kΩ 1/10W J
R8112	NRSA02J-123X	MG R	12kΩ 1/10W J
R8113	NRSA02J-272X	MG R	2.7kΩ 1/10W J
R8114	NRSA02J-184X	MG R	180kΩ 1/10W J
R8115	NRSA02J-273X	MG R	27kΩ 1/10W J
R8116	NRSA02J-562X	MG R	5.6kΩ 1/10W J
R8117	NRSA02J-103X	MG R	10kΩ 1/10W J
R8118	NRSA02J-332X	MG R	3.3kΩ 1/10W J
R8119	NRSA02J-272X	MG R	2.7kΩ 1/10W J
R8120	NRSA02J-103X	MG R	10kΩ 1/10W J
R8121	NRSA02J-223X	MG R	22kΩ 1/10W J
R8124	NRSA02J-272X	MG R	2.7kΩ 1/10W J
R8126	NRSA02J-272X	MG R	2.7kΩ 1/10W J
R8127	NRSA02J-333X	MG R	33kΩ 1/10W J
R8128	NRSA02J-392X	MG R	3.9kΩ 1/10W J
R8129	NRSA02J-103X	MG R	10kΩ 1/10W J
R8130	NRSA02J-332X	MG R	3.3kΩ 1/10W J
R8131-32	NRSA02J-0R0X	MG R	0.0Ω 1/10W J
R8135	NRSA02J-102X	MG R	1kΩ 1/10W J
R8140-41	NRSA02J-562X	MG R	5.6kΩ 1/10W J
R8143	NRSA02J-273X	MG R	27kΩ 1/10W J
R8144	NRSA02J-392X	MG R	3.9kΩ 1/10W J
R8145	NRSA02J-272X	MG R	2.7kΩ 1/10W J
R8147	NRSA02J-223X	MG R	22kΩ 1/10W J
R8148	NRSA02J-392X	MG R	3.9kΩ 1/10W J
R8149	NRSA02J-272X	MG R	2.7kΩ 1/10W J
R8150	NRVA02D-272X	MF R	2.7kΩ 1/10W D
R8151	NRSA02J-0R0X	MG R	0.0Ω 1/10W J
R8152	NRSA02J-153X	MG R	15kΩ 1/10W J
R8153-56	NRSA02J-103X	MG R	10kΩ 1/10W J
R8157	NRSA02J-0R0X	MG R	0.0Ω 1/10W J
R8202	NRSA02J-393X	MG R	39kΩ 1/10W J
R8203	NRSA02J-562X	MG R	5.6kΩ 1/10W J
R8206	NRSA02J-103X	MG R	10kΩ 1/10W J
R8207	NRSA02J-273X	MG R	27kΩ 1/10W J
R8212-13	NRSA02J-222X	MG R	2.2kΩ 1/10W J
R8218	NRSA02J-102X	MG R	1kΩ 1/10W J
R8219	NRSA02J-274X	MG R	270kΩ 1/10W J
R8220	NRSA02J-223X	MG R	22kΩ 1/10W J
R8221	NRSA02J-103X	MG R	10kΩ 1/10W J
R8222	NRSA02J-683X	MG R	68kΩ 1/10W J
R8224	NRSA02J-682X	MG R	6.8kΩ 1/10W J
R8225	NRSA02J-683X	MG R	68kΩ 1/10W J
R8226	NRSA02J-223X	MG R	22kΩ 1/10W J
R8257	NRSA02J-0R0X	MG R	0.0Ω 1/10W J
R8260	NRSA02J-123X	MG R	12kΩ 1/10W J
R8262	NRSA02J-0R0X	MG R	0.0Ω 1/10W J
R8263	NRSA02J-103X	MG R	10kΩ 1/10W J
R8264	NRSA02J-0R0X	MG R	0.0Ω 1/10W J
R8265	NRSA02J-333X	MG R	33kΩ 1/10W J
R8266	NRSA02J-472X	MG R	4.7kΩ 1/10W J
R8271-72	NRSA02J-102X	MG R	1kΩ 1/10W J
R8277	NRSA02J-822X	MG R	8.2kΩ 1/10W J
R8278	NRSA02J-102X	MG R	1kΩ 1/10W J
R8280	NRSA02J-393X	MG R	39kΩ 1/10W J
R8281	NRSA02J-333X	MG R	33kΩ 1/10W J
R8282	NRSA02J-561X	MG R	560Ω 1/10W J
R8283	QRE121J-681Y	C R	680Ω 1/2W J
R8284	NRSA02J-103X	MG R	10kΩ 1/10W J
R8288-89	NRSA02J-152X	MG R	1.5kΩ 1/10W J
R8301	NRSA02J-103X	MG R	10kΩ 1/10W J
R8302	NRSA02J-473X	MG R	47kΩ 1/10W J
R8303	NRSA02J-103X	MG R	10kΩ 1/10W J
R8304	NRSA02J-473X	MG R	47kΩ 1/10W J
R8311	NRSA02J-153X	MG R	15kΩ 1/10W J
R8312	NRSA02J-393X	MG R	39kΩ 1/10W J
R8313	NRSA02J-153X	MG R	15kΩ 1/10W J

△ Symbol No.	Part No.	Part Name	Description
RESISTOR			
R8314	NRSA02J-393X	MG R	39kΩ 1/10W J
R8315	NRSA02J-123X	MG R	12kΩ 1/10W J
R8316	NRSA02J-222X	MG R	2.2kΩ 1/10W J
R8317	NRSA02J-102X	MG R	1kΩ 1/10W J
R8318	NRSA02J-103X	MG R	10kΩ 1/10W J
R8319	NRSA02J-183X	MG R	18kΩ 1/10W J
R8320	NRSA02J-153X	MG R	15kΩ 1/10W J
R8321	NRSA02J-222X	MG R	2.2kΩ 1/10W J
R8322	NRSA02J-102X	MG R	1kΩ 1/10W J
R8323	NRSA02J-103X	MG R	10kΩ 1/10W J
R8324	NRSA02J-183X	MG R	18kΩ 1/10W J
R8325-26	NRSA02J-223X	MG R	22kΩ 1/10W J
R8328	NRSA02J-561X	MG R	560Ω 1/10W J
R8329	QRE121J-681Y	C R	680Ω 1/2W J
R8343	NRSA02J-0R0X	MG R	0.0Ω 1/10W J
R8352	NRSA02J-0R0X	MG R	0.0Ω 1/10W J
R8355-56	NRSA02J-561X	MG R	560Ω 1/10W J
R8357-58	QRE121J-681Y	C R	680Ω 1/2W J
R8401	NRSA02J-153X	MG R	15kΩ 1/10W J
R8402	NRSA02J-273X	MG R	27kΩ 1/10W J
R8405	NRSA02J-153X	MG R	15kΩ 1/10W J
R8406	NRSA02J-183X	MG R	18kΩ 1/10W J
R8407	NRSA02J-332X	MG R	3.3kΩ 1/10W J
R8408	NRSA02J-682X	MG R	6.8kΩ 1/10W J
R8410	NRSA02J-223X	MG R	22kΩ 1/10W J
R8413	NRSA02J-103X	MG R	10kΩ 1/10W J
R8420	NRSA02J-562X	MG R	5.6kΩ 1/10W J
R8426	NRSA02J-153X	MG R	15kΩ 1/10W J
R8429	NRSA02J-333X	MG R	33kΩ 1/10W J
R8451	NRSA02J-823X	MG R	82kΩ 1/10W J
R8453	NRSA02J-273X	MG R	27kΩ 1/10W J
R8455	NRSA02J-183X	MG R	18kΩ 1/10W J
R8458-59	NRSA02J-223X	MG R	22kΩ 1/10W J
R8460	NRSA02J-183X	MG R	18kΩ 1/10W J
R8464	NRSA02J-223X	MG R	22kΩ 1/10W J
R8469	NRSA02J-273X	MG R	27kΩ 1/10W J
R8501	NRSA02J-103X	MG R	10kΩ 1/10W J
R8502	NRSA02J-153X	MG R	15kΩ 1/10W J
R8503	NRSA02J-123X	MG R	12kΩ 1/10W J
R8504	NRSA02J-103X	MG R	10kΩ 1/10W J
R8505	NRSA02J-682X	MG R	6.8kΩ 1/10W J
R8506-07	NRSA02J-103X	MG R	10kΩ 1/10W J
R8508	NRSA02J-682X	MG R	6.8kΩ 1/10W J
R8510	NRSA02J-392X	MG R	3.9kΩ 1/10W J
R8513	NRSA02J-682X	MG R	6.8kΩ 1/10W J
R8514-15	NRSA02J-562X	MG R	5.6kΩ 1/10W J
R8516	NRSA02J-473X	MG R	47kΩ 1/10W J
R8517-18	NRSA02J-273X	MG R	27kΩ 1/10W J
R8520	NRSA02J-472X	MG R	4.7kΩ 1/10W J
R8522	NRSA02J-103X	MG R	10kΩ 1/10W J
R8523	NRSA02J-0R0X	MG R	0.0Ω 1/10W J
R8525	NRSA02J-472X	MG R	4.7kΩ 1/10W J
R8526	NRSA02J-153X	MG R	15kΩ 1/10W J
R8529	NRSA02J-333X	MG R	33kΩ 1/10W J
R8548	NRSA02J-0R0X	MG R	0.0Ω 1/10W J
R8549	NRSA02J-273X	MG R	27kΩ 1/10W J
R8551	NRSA02J-683X	MG R	68kΩ 1/10W J
R8553	NRSA02J-153X	MG R	15kΩ 1/10W J
R8555-57	NRSA02J-183X	MG R	18kΩ 1/10W J
R8558	NRSA02J-223X	MG R	22kΩ 1/10W J
R8559-60	NRSA02J-183X	MG R	18kΩ 1/10W J
R8562	NRSA02J-103X	MG R	10kΩ 1/10W J
R8564	NRSA02J-183X	MG R	18kΩ 1/10W J
R8565	NRSA02J-153X	MG R	15kΩ 1/10W J
R8567	NRSA02J-103X	MG R	10kΩ 1/10W J
R8569	NRSA02J-273X	MG R	27kΩ 1/10W J
R8596	NRSA02J-472X	MG R	4.7kΩ 1/10W J
R8597	NRSA02J-562X	MG R	5.6kΩ 1/10W J
R8598	NRSA02J-472X	MG R	4.7kΩ 1/10W J
R8601	NRSA02J-103X	MG R	10kΩ 1/10W J
R8602	NRSA02J-153X	MG R	15kΩ 1/10W J
R8603	NRSA02J-123X	MG R	12kΩ 1/10W J

△ Symbol No.	Part No.	Part Name	Description
RESISTOR			
R8604	NRSA02J-103X	MG R	10kΩ 1/10W J
R8605	NRSA02J-682X	MG R	6.8kΩ 1/10W J
R8606-07	NRSA02J-103X	MG R	10kΩ 1/10W J
R8608	NRSA02J-682X	MG R	6.8kΩ 1/10W J
R8610	NRSA02J-392X	MG R	3.9kΩ 1/10W J
R8613	NRSA02J-682X	MG R	6.8kΩ 1/10W J
R8614-15	NRSA02J-562X	MG R	5.6kΩ 1/10W J
R8616	NRSA02J-473X	MG R	47kΩ 1/10W J
R8617-18	NRSA02J-273X	MG R	27kΩ 1/10W J
R8620	NRSA02J-103X	MG R	10kΩ 1/10W J
R8622	NRSA02J-103X	MG R	10kΩ 1/10W J
R8623	NRSA02J-0R0X	MG R	0.0Ω 1/10W J
R8624	NRSA02J-682X	MG R	6.8kΩ 1/10W J
R8626	NRSA02J-153X	MG R	15kΩ 1/10W J
R8629	NRSA02J-333X	MG R	33kΩ 1/10W J
R8648	NRSA02J-0R0X	MG R	0.0Ω 1/10W J
R8649	NRSA02J-562X	MG R	5.6kΩ 1/10W J
R8651	NRSA02J-683X	MG R	68kΩ 1/10W J
R8653	NRSA02J-153X	MG R	15kΩ 1/10W J
R8655-57	NRSA02J-183X	MG R	18kΩ 1/10W J
R8658	NRSA02J-223X	MG R	22kΩ 1/10W J
R8659-60	NRSA02J-183X	MG R	18kΩ 1/10W J
R8661	NRSA02J-472X	MG R	4.7kΩ 1/10W J
R8664	NRSA02J-183X	MG R	18kΩ 1/10W J
R8665	NRSA02J-273X	MG R	27kΩ 1/10W J
R8668	NRSA02J-183X	MG R	18kΩ 1/10W J
R8669	NRSA02J-273X	MG R	27kΩ 1/10W J
R8696	NRSA02J-472X	MG R	4.7kΩ 1/10W J
R8697	NRSA02J-392X	MG R	3.9kΩ 1/10W J
R8698	NRSA02J-682X	MG R	6.8kΩ 1/10W J
R8701-02	NRSA02J-221X	MG R	220Ω 1/10W J
R8703-04	NRSA02J-682X	MG R	6.8kΩ 1/10W J
R8707-10	NRSA02J-103X	MG R	10kΩ 1/10W J
R8711-12	NRSA02J-221X	MG R	220Ω 1/10W J
R8713-14	NRSA02J-123X	MG R	12kΩ 1/10W J
R8717-20	NRSA02J-103X	MG R	10kΩ 1/10W J
R8721-26	NRSA02J-102X	MG R	1kΩ 1/10W J
R8731-32	NRSA02J-221X	MG R	220Ω 1/10W J
R8733-34	NRSA02J-682X	MG R	6.8kΩ 1/10W J
R8735	NRSA02J-103X	MG R	10kΩ 1/10W J
R8737	NRSA02J-103X	MG R	10kΩ 1/10W J
R8739-40	NRSA02J-103X	MG R	10kΩ 1/10W J
R8741-42	NRSA02J-221X	MG R	220Ω 1/10W J
R8743-44	NRSA02J-123X	MG R	12kΩ 1/10W J
R8747-50	NRSA02J-103X	MG R	10kΩ 1/10W J
R8751-52	NRSA02J-221X	MG R	220Ω 1/10W J
R8753-54	NRSA02J-682X	MG R	6.8kΩ 1/10W J
R8757-60	NRSA02J-103X	MG R	10kΩ 1/10W J
R8761-62	NRSA02J-221X	MG R	220Ω 1/10W J
R8763-64	NRSA02J-123X	MG R	12kΩ 1/10W J
R8767-70	NRSA02J-103X	MG R	10kΩ 1/10W J
R8772	NRSA02J-563X	MG R	56kΩ 1/10W J
R8773	NRSA02J-184X	MG R	180kΩ 1/10W J
R8774	NRSA02J-153X	MG R	15kΩ 1/10W J
R8775	NRSA02J-392X	MG R	3.9kΩ 1/10W J
R8777	NRSA02J-563X	MG R	56kΩ 1/10W J
R8778	NRSA02J-184X	MG R	180kΩ 1/10W J
R8779	NRSA02J-393X	MG R	39kΩ 1/10W J
R8780	NRSA02J-392X	MG R	3.9kΩ 1/10W J
R8782	NRSA02J-563X	MG R	56kΩ 1/10W J
R8783	NRSA02J-184X	MG R	180kΩ 1/10W J
R8785	NRSA02J-392X	MG R	3.9kΩ 1/10W J
R8787	NRSA02J-563X	MG R	56kΩ 1/10W J
R8788	NRSA02J-184X	MG R	180kΩ 1/10W J
R8789	NRSA02J-393X	MG R	39kΩ 1/10W J
R8790	NRSA02J-392X	MG R	3.9kΩ 1/10W J
R8791-94	NRSA02J-273X	MG R	27kΩ 1/10W J
R8795-98	NRSA02J-682X	MG R	6.8kΩ 1/10W J
R8802	NRSA02J-153X	MG R	15kΩ 1/10W J
R8804	NRSA02J-332X	MG R	3.3kΩ 1/10W J
R8805	QRL039J-221	OM R	220Ω 3W J
R8807	QRT039J-3R3	MF R	3.3Ω 3W J

△ Symbol No.	Part No.	Part Name	Description
RESISTOR			
R8808	QRE121J-272Y	C R	2.7kΩ 1/2W J
R8812	NRSA02J-153X	MG R	15kΩ 1/10W J
R8814	NRSA02J-332X	MG R	3.3kΩ 1/10W J
R8815	QRL039J-221	OM R	220Ω 3W J
R8817	QRT039J-3R3	MF R	3.3Ω 3W J
R8822	NRSA02J-153X	MG R	15kΩ 1/10W J
R8824	NRSA02J-332X	MG R	3.3kΩ 1/10W J
R8825	QRL039J-221	OM R	220Ω 3W J
R8827	QRT039J-3R3	MF R	3.3Ω 3W J
R8828	QRE121J-272Y	C R	2.7kΩ 1/2W J
R8832	NRSA02J-153X	MG R	15kΩ 1/10W J
R8834	NRSA02J-332X	MG R	3.3kΩ 1/10W J
R8835	QRL039J-221	OM R	220Ω 3W J
R8837	QRT039J-3R3	MF R	3.3Ω 3W J
R8842	NRSA02J-153X	MG R	15kΩ 1/10W J
R8844	NRSA02J-332X	MG R	3.3kΩ 1/10W J
R8845	QRL039J-121	OM R	120Ω 3W J
R8847	QRT039J-3R3	MF R	3.3Ω 3W J
R8848	QRE121J-272Y	C R	2.7kΩ 1/2W J
R8852	NRSA02J-153X	MG R	15kΩ 1/10W J
R8854	NRSA02J-332X	MG R	3.3kΩ 1/10W J
R8855	QRL039J-221	OM R	220Ω 3W J
R8857	QRT039J-3R3	MF R	3.3Ω 3W J
R8901	NRSA02J-561X	MG R	560Ω 1/10W J
R8902	NRSA02J-473X	MG R	47kΩ 1/10W J
R8903	NRSA02J-392X	MG R	3.9kΩ 1/10W J
R8904-05	NRSA02J-752X	MG R	7.5kΩ 1/10W J
R8906	NRSA02J-561X	MG R	560Ω 1/10W J
R8907-08	NRSA02J-752X	MG R	7.5kΩ 1/10W J
CAPACITOR			
C8102	QFLC1HJ-182Z	M CAP.	1800pF 50V J
C8103	QENC1HM-335Z	BP E CAP.	3.3μF 50V M
C8104	QFV71HJ-224Z	MF CAP.	0.22μF 50V J
C8108	QENC1HM-105Z	BP E CAP.	1μF 50V M
C8115	QENG1CM-106Z	BP E CAP.	10μF 16V M
C8117	QFV71HJ-105Z	MF CAP.	1μF 50V J
C8119	QENG1HM-225Z	BP E CAP.	2.2μF 50V M
C8121	QFLC1HJ-821Z	M CAP.	820pF 50V J
C8122	QFV71HJ-563Z	MF CAP.	0.056μF 50V J
C8123	QFV71HJ-124Z	MF CAP.	0.12μF 50V J
C8126	QFV71HJ-393Z	MF CAP.	0.039μF 50V J
C8140	NDC21HJ-330X	C CAP.	33pF 50V J
C8143	QFP31HG-152Z	PP CAP.	1500pF 50V G
C8145	QFLC1HJ-123Z	M CAP.	0.012μF 50V J
C8155	QFP31HG-152Z	PP CAP.	1500pF 50V G
C8156	QFP31HJ-392Z	PP CAP.	3900pF 50V J
C8204	QENG1CM-106Z	BP E CAP.	10μF 16V M
C8309-10	QENG1CM-106Z	BP E CAP.	10μF 16V M
C8701-04	NDC21HJ-470X	C CAP.	47pF 50V J
C8707-10	NDC21HJ-100X	C CAP.	10pF 50V J
C8721-24	NDC21HJ-470X	C CAP.	47pF 50V J
C8725-26	NDC21HJ-100X	C CAP.	10pF 50V J
C8728-29	NDC21HJ-100X	C CAP.	10pF 50V J
C8731-34	NDC21HJ-470X	C CAP.	47pF 50V J
C8735-36	NDC21HJ-100X	C CAP.	10pF 50V J
C8738-39	NDC21HJ-100X	C CAP.	10pF 50V J
C8771-74	QFLC1HJ-333Z	M CAP.	0.033μF 50V J
C8802	QEHC1HM-476Z	E CAP.	47μF 50V M
C8804	QEHC1HM-476Z	E CAP.	47μF 50V M
C8805	QEHC1VM-476Z	E CAP.	47μF 35V M
C8806	NCS21HJ-221X	C CAP.	220pF 50V J
C8812	QEHC1HM-476Z	E CAP.	47μF 50V M
C8814	QEHC1HM-476Z	E CAP.	47μF 50V M
C8815	QEHC1VM-476Z	E CAP.	47μF 35V M
C8816	NCS21HJ-221X	C CAP.	220pF 50V J
C8822	QEHC1HM-476Z	E CAP.	47μF 50V M
C8824	QEHC1HM-476Z	E CAP.	47μF 50V M
C8825	QEHC1VM-476Z	E CAP.	47μF 35V M
C8826	NCS21HJ-221X	C CAP.	220pF 50V J
C8901-02	QETC1VM-227Z	E CAP.	220μF 35V M
C8906-07	QETC1VM-227Z	E CAP.	220μF 35V M
C8916-27	NCF21HZ-104X	C CAP.	0.1μF 50V Z

△ Symbol No.	Part No.	Part Name	Description
COIL			
L8901-04	QQL26AK-470Z	CHOKE COIL	
DIODE			
D8251-52	RD8.2E/B2/-T2	ZENER DIODE	
D8256	DAN202K-X	DIODE ARRAY	
D8305	DAP202K-X	DIODE ARRAY	
D8315	DAP202K-X	DIODE ARRAY	
D8317	DAN202K-X	DIODE ARRAY	
D8802-05	RD33E/B1/-T2	ZENER DIODE	
D8812-15	RD33E/B1/-T2	ZENER DIODE	
D8822-25	RD33E/B1/-T2	ZENER DIODE	
D8901-05	MA3150/M/-X	ZENER DIODE	
TRANSISTOR			
Q8101	2SC2412K/QR/-X	SI. TRANSISTOR	
Q8102	2SA1037K/QR/-X	SI. TRANSISTOR	
Q8103-05	DTC124EKA-X	DIGI. TRANSISTOR	
Q8901	2SD1276A/QP/	SI. TRANSISTOR	
Q8902	2SB950A/QP/	SI. TRANSISTOR	
IC			
IC8101	PA0036	I.C. (MONO-ANA)	
IC8103-04	TC4538BP/N/	I.C. (DIGI-MOS)	
IC8201-02	BA15218N	I.C. (MONO-ANA)	
IC8204-05	BA15218N	I.C. (MONO-ANA)	
IC8253	MC14053BCP	I.C. (DIGI-MOS)	
IC8301-03	BA15218N	I.C. (MONO-ANA)	
IC8701-11	BA15218N	I.C. (MONO-ANA)	
IC8801-03	STK4274	I.C. (HYBRID)	
IC8901	M5230L	I.C. (MONO-ANA)	
IC8902	NJM7812FA	I.C. (MONO-ANA)	
IC8903	NJM7912FA	I.C. (MONO-ANA)	
IC8904	NJM7805FA	I.C. (MONO-ANA)	
IC8905	NJM7905FA	I.C. (MONO-ANA)	
OTHERS			
CL8002	CM46852-001	WIRE CLAMP	
CL8003	CM46852-001	WIRE CLAMP	
CL8004	CHJ1010-115-F	WIRE CLAMP	
△ R8806	QRZ9023-3R3	F R	3.3Ω 2W J
△ R8816	QRZ9023-3R3	F R	3.3Ω 2W J
△ R8826	QRZ9023-3R3	F R	3.3Ω 2W J
△ R8836	QRZ9023-3R3	F R	3.3Ω 2W J
△ R8846	QRZ9023-3R3	F R	3.3Ω 2W J
△ R8856	QRZ9023-3R3	F R	3.3Ω 2W J

FRONT CONTROL PW BOARD ASSY (SKB-8101A)

△ Symbol No.	Part No.	Part Name	Description
RESISTOR			
R8001-02	QRE141J-102Y	C R	1kΩ 1/4W J
R8003-04	QL35BJ-221	PEAKING COIL	
R8005	QRE141J-103Y	C R	10kΩ 1/4W J
R8007	QRE141J-682Y	C R	6.8kΩ 1/4W J
R8008	QRE141J-332Y	C R	3.3kΩ 1/4W J
R8009	QRE141J-561Y	C R	560Ω 1/4W J
R8010	QRE141J-122Y	C R	1.2kΩ 1/4W J
R8016-17	QRE141J-103Y	C R	10kΩ 1/4W J
R8018	QRE141J-153Y	C R	15kΩ 1/4W J
R8019	QRE141J-472Y	C R	4.7kΩ 1/4W J
R8411	QRE141J-222Y	C R	2.2kΩ 1/4W J
DIODE			
D8001	SLR-342DU-T	L.E.D. (ORG)	
D8002	GL3ED8	L.E.D.	
D8003	15S133-T2	SI.DIODE	
D8401-04	MTZJ10A-T2	ZENER DIODE	
TRANSISTOR			
Q8001	DTC124ESA-T	DIGI. TRANSISTOR	
Q8002-03	DTA124ESA-T	DIGI. TRANSISTOR	
Q8401	2SC3311A/QR-T	SI. TRANSISTOR	
OTHERS			
CL8001-02	CM35833-A01-H	L.E.D. HOLDER	
CL8004	CHJ2030-115-F	WIRE CLAMP	
J8001	QMCC004-C01	MINI DIN JACK	
J8002	CEMN011-001	JACK	
J8003	CEMN011-003	JACK	
J8004	CEMN011-002	JACK	
J8005	QMS3004-C01	HEADPHONE JACK	
S8002	QSP1A11-C18Z	PUSH SWITCH	CH+
S8003	QSP1A11-C18Z	PUSH SWITCH	TV/VIDEO
S8004	QSP1A11-C18Z	PUSH SWITCH	CH-
S8005	QSP1A11-C18Z	PUSH SWITCH	VOL+
S8006	QSP1A11-C18Z	PUSH SWITCH	MENU
S8007	QSP1A11-C18Z	PUSH SWITCH	VOL-
△ S8901	QSP4K21-C01	PUSH SWITCH	MAIN POWER SW

REMO-CON PW BOARD ASSY (SKB-8102A)

△ Symbol No.	Part No.	Part Name	Description
RESISTOR			
R8011	QRE141J-102Y	C R	1kΩ 1/4W J
CAPACITOR			
C8012	QFLC1HJ-104Z	M CAP.	0.1μF 50V J
IC			
IC8011	HC-337M	IFR DETECT UNIT	

POWER PW BOARD ASSY (SKB-9001A)

△ Symbol No.	Part No.	Part Name	Description
RESISTOR			
R9151	QRE141J-563Y	C R	56kΩ 1/4W J
R9152	QRE141J-273Y	C R	27kΩ 1/4W J
R9153	QRE141J-153Y	C R	15kΩ 1/4W J
R9154	QRE141J-684Y	C R	680kΩ 1/4W J
R9155	QRE141J-104Y	C R	100kΩ 1/4W J
R9156	QRE141J-474Y	C R	470kΩ 1/4W J
R9157	QRE141J-104Y	C R	100kΩ 1/4W J
R9158	QRE141J-182Y	C R	1.8kΩ 1/4W J
R9159	QRE141J-392Y	C R	3.9kΩ 1/4W J
R9160-61	QRE141J-562Y	C R	5.6kΩ 1/4W J
R9162-63	QRE141J-472Y	C R	4.7kΩ 1/4W J
R9164	QRE141J-101Y	C R	100Ω 1/4W J
R9165	QRE141J-221Y	C R	220Ω 1/4W J
R9166-67	QRE141J-103Y	C R	10kΩ 1/4W J
R9168	QRE141J-223Y	C R	22kΩ 1/4W J
R9169	QRJ146J-153X	C R	15kΩ 1/4W J
R9170	QRE121J-334Y	C R	330kΩ 1/2W J
R9400	QRE141J-332Y	C R	3.3kΩ 1/4W J
R9402-03	QRE141J-472Y	C R	4.7kΩ 1/4W J
R9404	QRN141J-183Y	C R	18kΩ 1/4W J
R9406	QRE141J-103Y	C R	10kΩ 1/4W J
R9407	QRE141J-822Y	C R	8.2kΩ 1/4W J
R9408	QRV141F-8451Y	MF R	8.45kΩ 1/4W F
R9409	QRN141J-104Y	C R	100kΩ 1/4W J
R9410	QRE121J-2R2Y	C R	2.2Ω 1/2W J
R9412	QRE121J-1R2Y	C R	1.2Ω 1/2W J
R9413	QRE141J-103Y	C R	10kΩ 1/4W J
R9414-15	QRE141J-561Y	C R	560Ω 1/4W J
R9601	QRE141J-221Y	C R	220Ω 1/4W J
R9602-03	QRE141J-333Y	C R	33kΩ 1/4W J
R9605	QRE141J-222Y	C R	2.2kΩ 1/4W J
R9606	QRE141J-221Y	C R	220Ω 1/4W J
R9607	QRE141J-123Y	C R	12kΩ 1/4W J
R9608	QRE141J-272Y	C R	2.7kΩ 1/4W J
R9609	QRE141J-101Y	C R	100Ω 1/4W J
R9610	QRE141J-122Y	C R	1.2kΩ 1/4W J
R9611	QRE141J-182Y	C R	1.8kΩ 1/4W J
R9612	QRE141J-152Y	C R	1.5kΩ 1/4W J
R9614	QRE141J-123Y	C R	12kΩ 1/4W J
R9615	QRE141J-822Y	C R	8.2kΩ 1/4W J
R9616	QRE141J-273Y	C R	27kΩ 1/4W J
R9617	QRE121J-562Y	C R	5.6kΩ 1/2W J
R9618	QRE141J-221Y	C R	220Ω 1/4W J
R9619	QRE141J-824Y	C R	820kΩ 1/4W J
R9620	QRE141J-562Y	C R	5.6kΩ 1/4W J
R9621	QRE141J-151Y	C R	150Ω 1/4W J
R9622	QRE141J-471Y	C R	470Ω 1/4W J
R9623-25	QRE121J-184Y	C R	180kΩ 1/2W J
R9626-28	QRE121J-224Y	C R	220kΩ 1/2W J
R9629	QRE141J-822Y	C R	8.2kΩ 1/4W J
R9630	QRE141J-392Y	C R	3.9kΩ 1/4W J
R9631	QRE121J-103Y	C R	10kΩ 1/2W J
R9632	QRE121J-183Y	C R	18kΩ 1/2W J
R9640	QRE141J-824Y	C R	820kΩ 1/4W J
R9641	QRE141J-562Y	C R	5.6kΩ 1/4W J
R9642	QRE141J-121Y	C R	120Ω 1/4W J
R9643	QRE141J-471Y	C R	470Ω 1/4W J
R9644-46	QRE121J-184Y	C R	180kΩ 1/2W J
R9647-49	QRE121J-224Y	C R	220kΩ 1/2W J
R9650	QRE141J-123Y	C R	12kΩ 1/4W J
R9651	QRE141J-392Y	C R	3.9kΩ 1/4W J
R9652	QRN141J-105Y	C R	1kΩ 1/4W J
R9654	QRZ0056-103Z	COMP. R	10kΩ
R9655	QRE121J-184Y	C R	180kΩ 1/2W J
R9656	QRE141J-220Y	C R	22Ω 1/4W J
R9657	QRE141J-222Y	C R	2.2kΩ 1/4W J
R9658	QRE141J-562Y	C R	5.6kΩ 1/4W J
R9659	QRE141J-472Y	C R	4.7kΩ 1/4W J
R9661	QRE141J-392Y	C R	3.9kΩ 1/4W J
R9662	QRE141J-102Y	C R	1kΩ 1/4W J
R9663	QRE141J-183Y	C R	18kΩ 1/4W J
R9664	QRE121J-184Y	C R	180kΩ 1/2W J

△ Symbol No.	Part No.	Part Name	Description
RESISTOR			
R9665	QRE141J-330Y	C R	33Ω 1/4W J
R9666	QRE141J-222Y	C R	2.2kΩ 1/4W J
R9667	QRE141J-562Y	C R	5.6kΩ 1/4W J
R9668	QRE141J-472Y	C R	4.7kΩ 1/4W J
R9670	QRE141J-392Y	C R	3.9kΩ 1/4W J
R9671	QRE141J-102Y	C R	1kΩ 1/4W J
R9672	QRE141J-183Y	C R	18kΩ 1/4W J
R9674-75	QRE141J-392Y	C R	3.9kΩ 1/4W J
△ R9676	QRZ9017-101	F R	100 Ω 1/4W J
△ R9677	QRZ9017-101	F R	100 Ω 1/4W J
△ R9678-79	QRE121J-184Y	C R	180kΩ 1/2W J
△ R9901	QRZ0107-685Z	C R	6.8MΩ 1/2W K
△ R9902	QRZ0057-825	C R	8.2MΩ 1W J
△ R9903	QRZ0057-825	C R	8.2MΩ 1W J

CAPACITOR			
C9151	QFLC1HJ-333Z	M CAP.	0.033μF 50V J
C9152	QEN61CM-106Z	BP E CAP.	10μF 16V M
C9156	QCB31HK-331Z	C CAP.	330pF 50V K
C9402	QETC1VM-107Z	E CAP.	100μF 35V M
C9403	QETC1VM-477Z	E CAP.	470μF 35V M
C9601	QENC1HM-335Z	BP E CAP.	3.3μF 50V M
C9602	QETC1JM-106Z	E CAP.	10μF 63V M
C9603	QFV71HJ-104Z	MF CAP.	0.1μF 50V J
C9607	QFV71HJ-104Z	MF CAP.	0.1μF 50V J
C9609	QFV71HJ-224Z	MF CAP.	0.22μF 50V J
C9612	QFZ0081-1002S	MPP CAP.	0.01μF1600V ±3%
C9615	QFZ0081-1001S	MPP CAP.	1000pF1600V ±3%
C9616-17	QFV71HJ-124Z	MF CAP.	0.12μF 50V J
△ C9901	QFZ9036-224	MF CAP.	0.22μFAC250V M
△ C9902	QFZ9036-224	MF CAP.	0.22μFAC250V M
△ C9903	QCZ9078-222	C CAP.	2200pFAC250V M
△ C9904	QCZ9078-222	C CAP.	2200pFAC250V M
△ C9905	QCZ9085-472	C CAP.	4700pFAC250V M
△ C9906	QFZ9036-104	MF CAP.	0.1μFAC250V M
△ C9911	QFZ9036-104	MF CAP.	0.1μFAC250V M
△ C9912	QFZ9036-104	MF CAP.	0.1μFAC250V M

DIODE			
D9151-56	1SS133-T2	SI .DIODE	
D9157	EU2A-T3	SI .DIODE	
D9158	1SS133-T2	SI .DIODE	
D9401	1SR35-100A-T2	SI .DIODE	
D9603	1SS133-T2	SI .DIODE	
D9605-06	1SS133-T2	SI .DIODE	
D9607	ES1F-LFG2	SI .DIODE	
D9608-09	1SS133-T2	SI .DIODE	
D9610	ES1F-LFG2	SI .DIODE	

TRANSISTOR			
Q9151-54	2SC1740S/QR/-T	SI .TRANSISTOR	
Q9155-56	2SA1499/QPO/	SI .TRANSISTOR	
Q9401-02	2SC1740S/QR/-T	SI .TRANSISTOR	
Q9601-03	2SC1740S/QR/-T	SI .TRANSISTOR	
Q9604	2SA933S(QR)-T	SI .TRANSISTOR	
Q9605	2SC1740S/QR/-T	SI .TRANSISTOR	
Q9606-07	2SC4256	SI .TRANSISTOR	
Q9608	2SA933S(QR)-T	SI .TRANSISTOR	
Q9609	2SC1740S/QR/-T	SI .TRANSISTOR	
Q9610-11	2SC4256	SI .TRANSISTOR	
Q9612	2SA933S(QR)-T	SI .TRANSISTOR	
Q9613-14	2SC1740S/QR/-T	SI .TRANSISTOR	
Q9615	2SA933S(QR)-T	SI .TRANSISTOR	
Q9616-17	2SC1740S/QR/-T	SI .TRANSISTOR	

IC			
IC9151	UPC358C	I .C. (MONO-ANA)	
IC9404	LA7845	I .C. (MONO-ANA)	

△ Symbol No.	Part No.	Part Name	Description
OTHERS			
CL9002	CEMG002-001Z	FUSE CLIP	
CL9004	CM46852-001	WIRE CLAMP	
CN9007	CHA201T-10P-J	FJ CONNECTOR	
CN9008	CHA201T-10P-J	FJ CONNECTOR	
CN9011	CHA201T-10P-J	FJ CONNECTOR	
CN9012	CHA201T-10P-J	FJ CONNECTOR	
CN9013	CHA201T-10P-J	FJ CONNECTOR	
CN9014	CHA201T-10P-J	FJ CONNECTOR	
CN9015	CHA201T-10P-J	FJ CONNECTOR	
CN9016	CHA201T-10P-J	FJ CONNECTOR	
△ LF9901	CE41775-001	LINE FILTER	
△ LF9911	CE41775-001	LINE FILTER	
△ LF9912	CE41775-001	LINE FILTER	
△ F9901	QMF51E2-5ROS	FUSE	
SG9601	CE42447-302	ARRESTOR	
△ VA9901	ERZ-C10VK621A	VARISTOR	

PIN JACK PW BOARD ASSY (SKB-06101A)

△ Symbol No.	Part No.	Part Name	Description
OTHERS			
J6001	CEMN045-004	PIN JACK	
J6002	CEMN090-002	PIN JACK	

PIP/TEXT PW BOARD ASSY (SKB-0T003A)

△ Symbol No. Part No. Part Name Description

VARIABLE RESISTOR

R0002	NVP1305-102X	CHIP TRIM R (V.POSITION 1)	1kΩ
R0004	NVP1305-222X	CHIP TRIM R (H.POSITION 2)	2.2kΩ
R0009	NVP1305-102X	CHIP TRIM R (H.POSITION 1)	1kΩ
R0116	NVP1305-681X	TRIM R (Y LEVEL)	680 Ω
R0260	NVP1305-222X	CHIP TRIM R (R GAIN)	2.2kΩ
R0261	NVP1305-222X	CHIP TRIM R (B GAIN)	2.2kΩ
R0262	NVP1305-222X	CHIP TRIM R (G GAIN)	2.2kΩ

RESISTOR

R0001	NRSA02J-333X	MG R	33kΩ 1/10W J
R0003	NRSA02J-822X	MG R	8.2kΩ 1/10W J
R0005	NRSA02J-563X	MG R	56kΩ 1/10W J
R0008	NRSA02J-222X	MG R	2.2kΩ 1/10W J
R0010	NRSA02J-104X	MG R	100kΩ 1/10W J
R0012	NRSA02J-822X	MG R	8.2kΩ 1/10W J
R0101	NRSA02J-102X	MG R	1kΩ 1/10W J
R0102	NRSA02J-122X	MG R	1.2kΩ 1/10W J
R0105	NRSA02J-683X	MG R	68kΩ 1/10W J
R0106	NRSA02J-0R0X	MG R	0.0Ω 1/10W J
R0108	NRSA02J-102X	MG R	1kΩ 1/10W J
R0109	NRSA02J-122X	MG R	1.2kΩ 1/10W J
R0110	NRSA02J-222X	MG R	2.2kΩ 1/10W J
R0111-12	NRSA02J-102X	MG R	1kΩ 1/10W J
R0113	NRSA02J-122X	MG R	1.2kΩ 1/10W J
R0114	NRSA02J-222X	MG R	2.2kΩ 1/10W J
R0115	NRSA02J-102X	MG R	1kΩ 1/10W J
R0117	NRSA02J-331X	MG R	330Ω 1/10W J
R0118	NRSA02J-821X	MG R	820Ω 1/10W J
R0119	NRSA02J-471X	MG R	470Ω 1/10W J
R0120-22	NRSA02J-102X	MG R	1kΩ 1/10W J
R0123	NRSA02J-332X	MG R	3.3kΩ 1/10W J
R0124	NRSA02J-333X	MG R	33kΩ 1/10W J
R0125	NRSA02J-332X	MG R	3.3kΩ 1/10W J
R0126	NRSA02J-333X	MG R	33kΩ 1/10W J
R0127	NRSA02J-222X	MG R	2.2kΩ 1/10W J
R0130	NRSA02J-103X	MG R	10kΩ 1/10W J
R0131	NRSA02J-102X	MG R	1kΩ 1/10W J
R0133-34	NRSA02J-102X	MG R	1kΩ 1/10W J
R0135-36	NRSA02J-104X	MG R	100kΩ 1/10W J
R0140-43	NRSA02J-472X	MG R	4.7kΩ 1/10W J
R0145-48	NRSA02J-223X	MG R	22kΩ 1/10W J
R0153-55	NRSA02J-0R0X	MG R	0.0Ω 1/10W J
R0156	NRSA02J-472X	MG R	4.7kΩ 1/10W J
R0157	NRSA02J-103X	MG R	10kΩ 1/10W J
R0158	NRSA02J-561X	MG R	560Ω 1/10W J
R0159	NRSA02J-103X	MG R	10kΩ 1/10W J
R0160	NRSA02J-153X	MG R	15kΩ 1/10W J
R0161	NRSA02J-103X	MG R	10kΩ 1/10W J
R0162	NRSA02J-223X	MG R	22kΩ 1/10W J
R0164	NRSA02J-332X	MG R	3.3kΩ 1/10W J
R0165	NRSA02J-222X	MG R	2.2kΩ 1/10W J
R0166	NRSA02J-103X	MG R	10kΩ 1/10W J
R0171	NRSA02J-122X	MG R	1.2kΩ 1/10W J
R0172	NRSA02J-562X	MG R	5.6kΩ 1/10W J
R0173	NRSA02J-222X	MG R	2.2kΩ 1/10W J
R0174	NRSA02J-122X	MG R	1.2kΩ 1/10W J
R0175	NRSA02J-562X	MG R	5.6kΩ 1/10W J
R0176	NRSA02J-222X	MG R	2.2kΩ 1/10W J
R0177	NRSA02J-392X	MG R	3.9kΩ 1/10W J
R0178	NRSA02J-331X	MG R	330Ω 1/10W J
R0201	NRSA02J-821X	MG R	820Ω 1/10W J
R0202	NRSA02J-101X	MG R	100Ω 1/10W J
R0203-06	NRSA02J-102X	MG R	1kΩ 1/10W J
R0207	NRSA02J-680X	MG R	68Ω 1/10W J
R0208	NRSA02J-123X	MG R	12kΩ 1/10W J
R0209	NRSA02J-562X	MG R	5.6kΩ 1/10W J
R0210	NRSA02J-102X	MG R	1kΩ 1/10W J
R0211	NRSA02J-272X	MG R	2.7kΩ 1/10W J
R0212	NRSA02J-222X	MG R	2.2kΩ 1/10W J
R0213-14	NRSA02J-122X	MG R	1.2kΩ 1/10W J
R0215	NRSA02J-123X	MG R	12kΩ 1/10W J
R0216	NRSA02J-562X	MG R	5.6kΩ 1/10W J
R0217	NRSA02J-102X	MG R	1kΩ 1/10W J

△ Symbol No. Part No. Part Name Description

RESISTOR

R0218	NRSA02J-750X	MG R	75Ω 1/10W J
R0219	NRSA02J-821X	MG R	820Ω 1/10W J
R0220	NRSA02J-101X	MG R	100Ω 1/10W J
R0221	NRSA02J-102X	MG R	1kΩ 1/10W J
R0222	NRSA02J-222X	MG R	2.2kΩ 1/10W J
R0223	NRSA02J-102X	MG R	1kΩ 1/10W J
R0224	NRSA02J-680X	MG R	68Ω 1/10W J
R0225	NRSA02J-123X	MG R	12kΩ 1/10W J
R0226	NRSA02J-562X	MG R	5.6kΩ 1/10W J
R0227-29	NRSA02J-102X	MG R	1kΩ 1/10W J
R0230	NRSA02J-272X	MG R	2.7kΩ 1/10W J
R0231	NRSA02J-222X	MG R	2.2kΩ 1/10W J
R0232-33	NRSA02J-122X	MG R	1.2kΩ 1/10W J
R0234	NRSA02J-123X	MG R	12kΩ 1/10W J
R0235	NRSA02J-562X	MG R	5.6kΩ 1/10W J
R0236	NRSA02J-102X	MG R	1kΩ 1/10W J
R0237	NRSA02J-750X	MG R	75Ω 1/10W J
R0238	NRSA02J-821X	MG R	820Ω 1/10W J
R0239	NRSA02J-101X	MG R	100Ω 1/10W J
R0240	NRSA02J-102X	MG R	1kΩ 1/10W J
R0241	NRSA02J-222X	MG R	2.2kΩ 1/10W J
R0242	NRSA02J-102X	MG R	1kΩ 1/10W J
R0243	NRSA02J-680X	MG R	68Ω 1/10W J
R0244	NRSA02J-123X	MG R	12kΩ 1/10W J
R0245	NRSA02J-562X	MG R	5.6kΩ 1/10W J
R0246-48	NRSA02J-102X	MG R	1kΩ 1/10W J
R0249	NRSA02J-222X	MG R	2.2kΩ 1/10W J
R0250	NRSA02J-472X	MG R	4.7kΩ 1/10W J
R0251	NRSA02J-123X	MG R	12kΩ 1/10W J
R0252-53	NRSA02J-122X	MG R	1.2kΩ 1/10W J
R0254	NRSA02J-123X	MG R	12kΩ 1/10W J
R0255	NRSA02J-562X	MG R	5.6kΩ 1/10W J
R0256	NRSA02J-102X	MG R	1kΩ 1/10W J
R0257	NRSA02J-750X	MG R	75Ω 1/10W J
R0258	NRSA02J-101X	MG R	100Ω 1/10W J
R0259	NRSA02J-681X	MG R	680Ω 1/10W J
R0263-66	NRSA02J-222X	MG R	2.2kΩ 1/10W J
R0267	NRSA02J-153X	MG R	15kΩ 1/10W J
R0301-03	NRSA02J-151X	MG R	150Ω 1/10W J
R0304	NRSA02J-243X	MG R	24kΩ 1/10W J
R0305-06	NRSA02J-472X	MG R	4.7kΩ 1/10W J
R0310-11	NRSA02J-221X	MG R	220Ω 1/10W J
R0316	NRSA02J-122X	MG R	1.2kΩ 1/10W J
R0317	NRSA02J-221X	MG R	220Ω 1/10W J
R0319	NRSA02J-472X	MG R	4.7kΩ 1/10W J
R0320-22	NRSA02J-272X	MG R	2.7kΩ 1/10W J
R0323-25	NRSA02J-333X	MG R	33kΩ 1/10W J
R0326	NRSA02J-123X	MG R	12kΩ 1/10W J
R0327	NRSA02J-103X	MG R	10kΩ 1/10W J
R0329-34	NRSA02J-332X	MG R	3.3kΩ 1/10W J
R0335	NRSA02J-152X	MG R	1.5kΩ 1/10W J
R0336	NRSA02J-223X	MG R	22kΩ 1/10W J
R0337-40	NRSA02J-103X	MG R	10kΩ 1/10W J
R0401	NRSA02J-222X	MG R	2.2kΩ 1/10W J
R0402-03	NRSA02J-472X	MG R	4.7kΩ 1/10W J
R0404	NRSA02J-332X	MG R	3.3kΩ 1/10W J
R0405	NRSA02J-472X	MG R	4.7kΩ 1/10W J
R0406-08	NRSA02J-102X	MG R	1kΩ 1/10W J
R0409	NRSA02J-682X	MG R	6.8kΩ 1/10W J
R0410	NRSA02J-103X	MG R	10kΩ 1/10W J
R0411	NRSA02J-182X	MG R	1.8kΩ 1/10W J

CAPACITOR

C0001-02	NDC21HJ-152X	C CAP.	1500pF 50V J
C0003	NCF21HZ-104X	C CAP.	0.1μF 50V Z
C0004-05	NDC21HJ-122X	C CAP.	1200pF 50V J
C0006	NDC21HJ-101X	C CAP.	100pF 50V J
C0008	NCF21HZ-104X	C CAP.	0.1μF 50V Z
C0012	NDC21HJ-101X	C CAP.	100pF 50V J
C0014	NCF21HZ-104X	C CAP.	0.1μF 50V Z
C0015	NDC21HJ-101X	C CAP.	100pF 50V J
C0018	NDC21HJ-122X	C CAP.	1200pF 50V J

△ Symbol No.	Part No.	Part Name	Description
CAPACITOR			
C0019	NCF21HZ-104X	C CAP.	0.1μF 50V Z
C0023-24	NCF21HZ-104X	C CAP.	0.1μF 50V Z
C0103	NCF21HZ-104X	C CAP.	0.1μF 50V Z
C0104	QK11HM-104Z	E CAP.	0.1μF 50V M
C0105	NBH21CM-684X	TAN. CAP.	0.68μF 16V M
C0106	NCB21HK-332X	C CAP.	3300pF 50V K
C0107	NCB21HK-223X	C CAP.	0.022μF 50V K
C0108	NCB21EK-104X	C CAP.	0.1μF 25V K
C0109	NCB21HK-332X	C CAP.	3300pF 50V K
C0110-11	NDC21HJ-7R0X	C CAP.	7.0pF 50V J
C0112	NCB21EK-104X	C CAP.	0.1μF 25V K
C0113	NCF21HZ-104X	C CAP.	0.1μF 50V Z
C0114-16	NCB21HK-223X	C CAP.	0.022μF 50V K
C0118	NCF21HZ-104X	C CAP.	0.1μF 50V Z
C0121	NCF21HZ-104X	C CAP.	0.1μF 50V Z
C0122-23	NCB21HK-103X	C CAP.	0.01μF 50V K
C0125	NCF21HZ-104X	C CAP.	0.1μF 50V Z
C0127	NCF21HZ-104X	C CAP.	0.1μF 50V Z
C0128-29	NDC21HJ-221X	C CAP.	220pF 50V J
C0133-35	NCF21HZ-103X	C CAP.	0.01μF 50V Z
C0136	NCF21HZ-104X	C CAP.	0.1μF 50V Z
C0137-38	QEN61CM-106Z	BP E CAP.	10μF 16V M
C0139	QEN61HM-106Z	BP E CAP.	10μF 50V M
C0142	NCF21HZ-104X	C CAP.	0.1μF 50V Z
C0144	NCF21HZ-104X	C CAP.	0.1μF 50V Z
C0145	NCF21HZ-103X	C CAP.	0.01μF 50V Z
C0146	NCF21HZ-104X	C CAP.	0.1μF 50V Z
C0148	NCF21HZ-103X	C CAP.	0.01μF 50V Z
C0149	NCF21HZ-104X	C CAP.	0.1μF 50V Z
C0151	NCF21HZ-104X	C CAP.	0.1μF 50V Z
C0154	NCF21HZ-104X	C CAP.	0.1μF 50V Z
C0155-56	NDC21HJ-220X	C CAP.	22pF 50V J
C0157	NCB21EK-104X	C CAP.	0.1μF 25V K
C0158	NCF21HZ-104X	C CAP.	0.1μF 50V Z
C0162-63	NCF21HZ-104X	C CAP.	0.1μF 50V Z
C0165-66	NCF21HZ-103X	C CAP.	0.01μF 50V Z
C0172-73	NCF21HZ-104X	C CAP.	0.1μF 50V Z
C0174-75	NDC21HJ-270X	C CAP.	27pF 50V J
C0176	NCF21HZ-104X	C CAP.	0.1μF 50V Z
C0178	NCF21HZ-104X	C CAP.	0.1μF 50V Z
C0179-81	NCF21CZ-105X	C CAP.	1μF 16V Z
C0183	NCF21HZ-104X	C CAP.	0.1μF 50V Z
C0185-86	NDC21HJ-7R0X	C CAP.	7.0pF 50V J
C0189	NDC21HJ-680X	C CAP.	68pF 50V J
C0190	NDC21HJ-471X	C CAP.	470pF 50V J
C0191-96	NCF21HZ-103X	C CAP.	0.01μF 50V Z
C0201-02	NDC21HJ-121X	C CAP.	120pF 50V J
C0203-04	NCF21HZ-104X	C CAP.	0.1μF 50V Z
C0231	NCB21HK-102X	C CAP.	1000pF 50V K
C0302	NDC21HJ-560X	C CAP.	56pF 50V J
C0303-05	NCF21HZ-104X	C CAP.	0.1μF 50V Z
C0306	NDC21HJ-102X	C CAP.	1000pF 50V J
C0307-08	NCF21HZ-104X	C CAP.	0.1μF 50V Z
C0309	NDC21HJ-560X	C CAP.	56pF 50V J
C0314	NCB21HK-103X	C CAP.	0.01μF 50V K
C0316	NCS21HJ-561X	C CAP.	560pF 50V J
C0318	QETCOJM-227Z	E CAP.	220μF 6.3V M
C0319	NCF21HZ-104X	C CAP.	0.1μF 50V Z
C0320	NCF21HZ-103X	C CAP.	0.01μF 50V Z
C0321-23	QEN61CM-106Z	BP E CAP.	10μF 16V M
C0324-26	NCF21CZ-105X	C CAP.	1μF 16V Z
C0330-32	NCF21HZ-103X	C CAP.	0.01μF 50V Z
C0335-38	NCF21HZ-103X	C CAP.	0.01μF 50V Z
C0349	NCB11CK-225X	CHIP CAP.	2.2μF 16V K
C0350	QETN1EM-476Z	E CAP.	47μF 25V M
C0351	NCB11CK-225X	CHIP CAP.	2.2μF 16V K
C0401-03	QEN61CM-106Z	BP E CAP.	10μF 16V M
C0405-07	QEN61CM-106Z	BP E CAP.	10μF 16V M
C0408	NDC21HJ-820X	C CAP.	82pF 50V J
C0409	NCF21HZ-103X	C CAP.	0.01μF 50V Z
C0411-12	NCF21HZ-103X	C CAP.	0.01μF 50V Z

TRANSFORMER

T0101	CE42697-001	LOWPASS FILTER
-------	-------------	----------------

△ Symbol No.	Part No.	Part Name	Description
TRANSFORMER			
T0102	CELTO36-014	VCO COIL	
T0103	CE42497-001	OSC. COIL	
T0104-05	CE42498-001	OSC. COIL	
T0201	CE42412-001	LOWPASS FILTER	

COIL

L0101	QQL01BK-100Z	PEAKING COIL	
L0103-04	QQL01BK-100Z	PEAKING COIL	
L0105-06	NQL334J-221X	INDUCTOR	
L0107-08	QQL01BK-100Z	PEAKING COIL	
L0201-02	NQL334J-121X	INDUCTOR	
L0301	NQL02BJ-4R7X	COIL	4.7μH
L0303-05	NQL02BJ-4R7X	COIL	4.7μH
L0307	QQL01BK-4R7Z	PEAKING COIL	4.7μH
L0331-33	QQL01BK-560Z	PEAKING COIL	56μH

DIODE

D0103-04	MA57-X	SI. DIODE
D0401-04	1S5353-X	SI. DIODE

TRANSISTOR

Q0102-06	25C2712/YG/-X	SI. TRANSISTOR
Q0107	25A1162/YG/-X	SI. TRANSISTOR
Q0108	25C2712/YG/-X	SI. TRANSISTOR
Q0110-12	25C2712/YG/-X	SI. TRANSISTOR
Q0115-18	25C2712/YG/-X	SI. TRANSISTOR
Q0201-02	25A1162/YG/-X	SI. TRANSISTOR
Q0203-05	25C2712/YG/-X	SI. TRANSISTOR
Q0206-07	25A1162/YG/-X	SI. TRANSISTOR
Q0208-11	25C2712/YG/-X	SI. TRANSISTOR
Q0212-13	25A1162/YG/-X	SI. TRANSISTOR
Q0214-18	25C2712/YG/-X	SI. TRANSISTOR
Q0219	DTC124EKA-X	DIGI. TRANSISTOR
Q0301	25C2412K/QR/-X	SI. TRANSISTOR
Q0302	25A1037K/QR/-X	SI. TRANSISTOR
Q0303-05	25C2412K/QR/-X	SI. TRANSISTOR
Q0308-09	25C2412K/QR/-X	SI. TRANSISTOR
Q0401-02	25C2412K/QR/-X	SI. TRANSISTOR
Q0403	25A1037K/QR/-X	SI. TRANSISTOR
Q0404	DTC124EKA-X	DIGI. TRANSISTOR

IC

IC0001-04	TC74HC221AF-X	I. C. (DIGI-MOS)
IC0005	TC74HC153AF-X	I. C. (DIGI-MOS)
IC0100	TDA9141/N2	I. C. (MONO-ANA)
IC0101	TC7W14F-X	I. C. (DIGI-MOS)
IC0103	UPD6403AGF	I. C. (DIGI-MOS)
IC0104	MSM51C262-80ZS	I. C. (MEMORY-OTH)
IC0105	AN7805	I. C. (MONO-ANA)
IC0106	TC7W14F-X	I. C. (DIGI-MOS)
IC0301	SAAS264PS/M3	I. C. (MONO-ANA)
IC0304	BR24C02-W	I. C. (MEMORY-OTH)
IC0305	TA48M033F-X	I. C. (M)
IC0401	AN5860	I. C. (MONO-ANA)

OTHERS

CN0003	CM36337-A01-H	SHIELD COVER
CN0004	QGB2501K2-15	JL PLUG
EF0101-13	QGB2501K2-10	JL PLUG
EF0114-15	CE41865-470Y	EMI FILTER
EF0116-18	CE42285-103Y	EMI FILTER
X0101	CE41865-470Y	EMI FILTER
X0102	CE40749-001	CRYSTAL
X0301	CE40668-001Z	CRYSTAL
	QAX0273-001Z	CRYSTAL

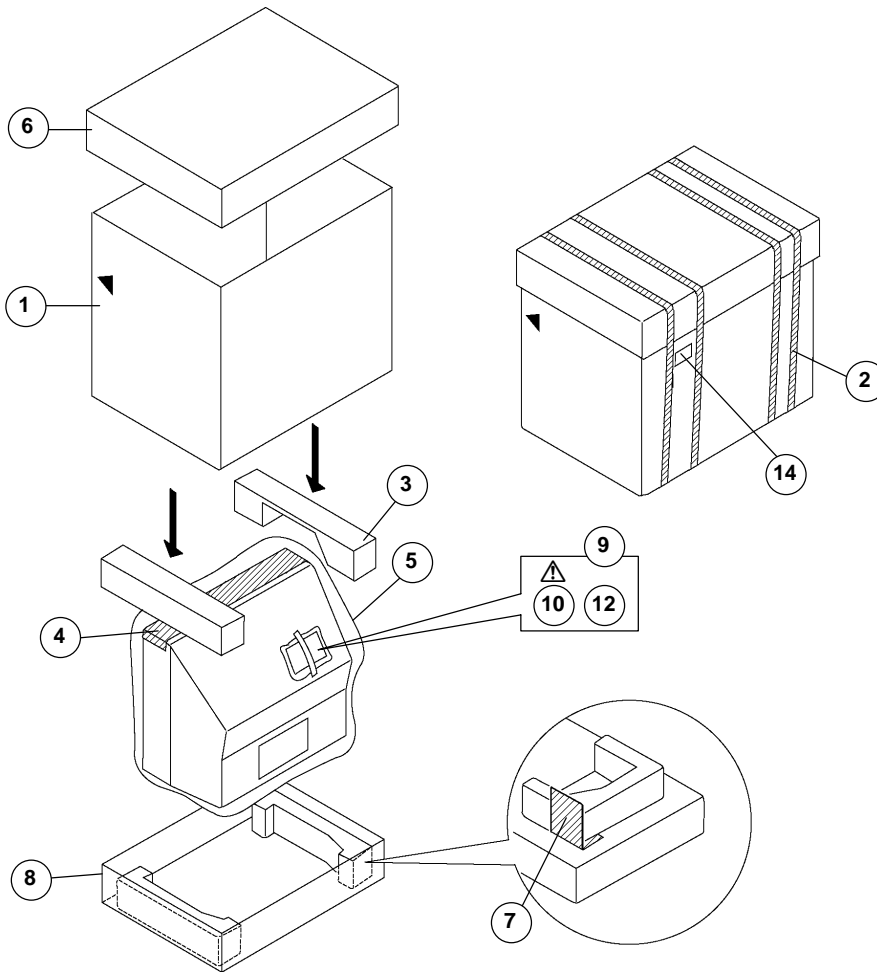
3D Y/C SEP. MODULE PW BOARD ASSY (SKB-0Y001A)

△ Symbol No.	Part No.	Part Name	Description
OTHERS			
	SKB-0Y001A	3D Y/C SEP. MODULE	

REMOTE CONTROL UNIT PARTS LIST (RM-C895-1C)

△ Ref No.	Part No.	Part Name	Description
	103RRC-109-09R	DOOR ASSY	
	103RRC-084-01R	BATTERY COVER	

PACKING



PACKING PARTS LIST

△ Ref No.	Part No.	Part Name	Description
1	CP11519-007	PACKING CASE	
2	CP30371-00K	BAND	(×4)
3	CP11573-A0A	CUSHION ASSY	
4	CP30611-008	TOP COVER	
5	CP30612-006	SET COVER	
6	CP30952-001	TOP CASE	
7	CP40342-001	PACKING PAD	(×2)
8	CP30928-001	BOTTOM CASE	
9	QPA02503505	POLY BAG	
△ 10	LCT0929-001A	INST. BOOK	
12	RM-C895-1C	REMOCON UNIT	
14	CP30976-029(R)	POS. SERIAL LABEL	

